



GUANGZHOU LEONIS MACHINERY CO.,LTD.

Address: West Dongfeng Avenue, Gangkou industry park, Xinhua Town, Huadu District, Guangzhou City, China
Mail: Sales.center@trinx.cn, eagle@trinx.cn

*We reserve the right to change at any moment and without warning the technical specifications of our products as they are presented in this catalog.



TRINIX
CATALOG 2026

CONTENTS



TRINIX

02 - WHO WE ARE

04 - OUR STORY

09 - OUR TEAM

13 - MTB

47 - ROAD BIKES

74 - FOLDING BIKES

80 - E-BIKES

88 - KIDS BIKES

98 - EQUIPMENT

TRINX.COM



WE ARE TRINX

Passion never waits, since riders don't either. They are always looking for comfort, performance and design combined together in new affordable solutions. Riders are looking for Trinx. More than a bike: a journey inside youth, vigor and bravery."Young" like our innovation, supported by in-house painting laboratories and smart automation technologies."Vigorous" like our natural attitude, developed through Chinese vision and Italian design. "Brave" like our way of creating, your way of riding.

TRINX
BIKES

THE STORY SO FAR

Changing the future without changing the early passion.

In the late '90s, the Asian market needed a significant change of pace, thus Trinity was founded, embarking on producing and selling complete bikes.

A few years later, in 2002, the company started exploring overseas market up to a turning point, in 2006 a self-owned brand was created: TRINX. The year 2014 turned the tide again: carbon fiber frame technology was introduced into the company manufacturing process.

In October 2016, TRINX carbon mountain bike V1000 was a successful crowdfunding project that took place on JD.com, where in just one day the target amount of 500,000 yuan was reached. In May 2017, TRINX created a Bicycle & Motor Fair with its E-Bike series.

Today, TRINX is the milestone of the company development, thanks to cutting-edge international laboratories, sophisticated product lines including road, folding, mountain, E-bike and key bicycle components.

Now we are preparing ourselves for the future without changing our vision: sharing the joy of riding worldwide.



OUR MISSION

Share the Tech, Feel the Ride!

TRINX not only manufactures bicycles, but is also committed to letting more people enjoy the fun of riding.

WE APPLY

- World-Class Manufacturing Technology
- Digital Lean Management
- Deep Insight Into Customers' Demand

To provide professional, reliable and fashionable bicycle products and services to teenagers and entry-level cycling enthusiasts around the world To accompany them on their journey of exploration and realize their first cycling dreams.



BRAND CORE ADVERTISING SLOGAN SYSTEM

To Explore Mountains · Go with TRINX

World-class craftsmanship to power every exploration



TRINX.COM

CHANGING THE
FUTURE WITHOUT
CHAGING THE EARLY
PASSION.

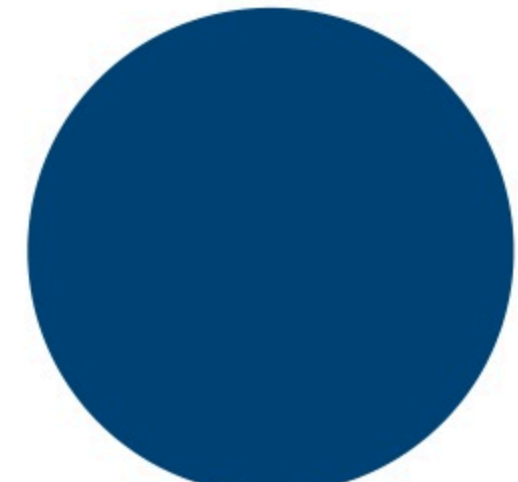


TEAM
EMOTIONS



OUR TEAM





CRISTIAN BERNARDI



LUCIA BRAMATI



MARCO BRAMATI



PIETRO CAO



GIORGIA PELLIZZOTTI



FLAVIO DISPENSA



ALICE PASCUCCI



SVERRE VAN LEE



No hesitation, no compromises experience the outdoor at full speed.

Designed for those who crave adventure and freedom, TRINX mountain bikes are built to tackle every climb and descent with confidence. With advanced suspension systems and rugged specifications, they deliver powerful performance on any trail - empowering riders to push harder, ride faster, and explore further than ever before.

MTB

TRINX.COM





TRINX UCI BIKES

Rely on your power, Rely on your bike.





FULL CARBON FRAME

High strength-to-weight ratio for extreme lightness, less fatigue and sharper handling.

XC OPTIMIZED GEOMETRY

1. Optimized Reach & Stack for balanced high-speed stability and low-speed precision across all terrains.
2. Golden Geometry: 66° head angle + short chain-stays – the benchmark for XC race handling.



SEMI-HIDDEN 4-BAR LINKAGE FOR EFFICIENT DAMPING & ZERO ENERGY LOSS.

Semi-hidden 4-bar linkage: compact, space-saving & highly efficient damping.



XC-01-12S

FRAME	TRINX 29*15"/17"/19" Carbon Full Suspension, ROCKSHOX Suspension
FORK	ROCKSHOX SID SELECT Travel:120mm Remote Lock-Out
SHIFTER	SHIMANO SLX M7100 12S
FD	-
RD	SHIMANO SLX RD-M7100 12S
CASSETTE	SHIMANO CS-M6100 11-51T
CHAIN	SHIMANO DEORE 12S
BRAKE	SHIMANO DEORE M6100

RIM	Alloy Double Walls
TYRE	MAXXIS 29*2.25" 120TPI folding
CHAINWHEEL	SHIMANO FC-MT510
HUB	Alloy Double Sealed Bearing
SADDLE	SR Sport
SEATPOST	KS Suspension SEATPOST
STEM	ZOOM Alloy
HANDLEBAR	ZOOM Alloy



FULL CARBON FRAME

Carbon fiber frame for lightweight design and exceptional strength.



EXTERNAL CABLE ROUTING

Reduces cable wear and simplifies maintenance.



INTEGRATED HANDLEBAR & DROPPER SEATPOST

Optimized riding position for improved control and all-day comfort.



EN-01-12S

FRAME	TRINX 29"15"/17"/19" Carbon Full Suspension FOX Suspension	RIM	Alloy Double Walls
FORK	FOX Suspension Travel:170mm Remote Lock-Out	TYRE	MAXXIS 29*2.25" 120TPI folding
SHIFTER	SRAM Eagle 12S	CHAINWHEEL	SHIMANO FC-MT510
FD	-	HUB	Alloy Double Sealed Bearing
RD	SRAM Eagle 12S	SADDLE	SR Sport
CASSETTE	SRAM XS-1275	SEATPOST	FUSION Suspension SEATPOST
CHAIN	SRAM Eagle	STEM	ZOOM Alloy
BRAKE	SRAM Hydraulic Disc	HANDLEBAR	ZOOM Alloy



MOUNTAIN BIKE



PULSE 10S

FRAME	TRINX Alloy Suspension 27.5*15"/17"	RIM	Alloy Double Walls
SHOCK	DNM AIR SHOCK	TYRE	CST :27.5*2.25"
FORK	Alloy Hydraulic Lock-Out Suspension,Travel:100mm	CHAINWHEEL	Alloy 36T*170L
SHIFTER	S-RIDE 10S	HUB	Alloy Double Sealed Bearing
RD	S-RIDE 10S	SADDLE	TRINX Sport
CASSETTE	10S,11-42T	SEATPOST	TRINX Alloy
CHAIN	KMC 10S	STEM	TRINX Alloy
BRAKE	Hydraulic Disc	HANDLEBAR	TRINX Alloy

CUR SERIES

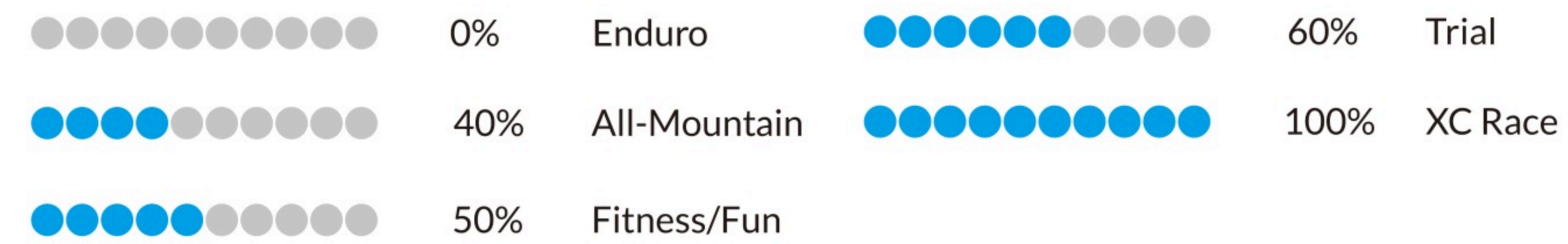
Description

S Series bikes are ultra-light, super-efficient race machines designed to dominate the technical climbs and scary descents of the World Cup.

User profile

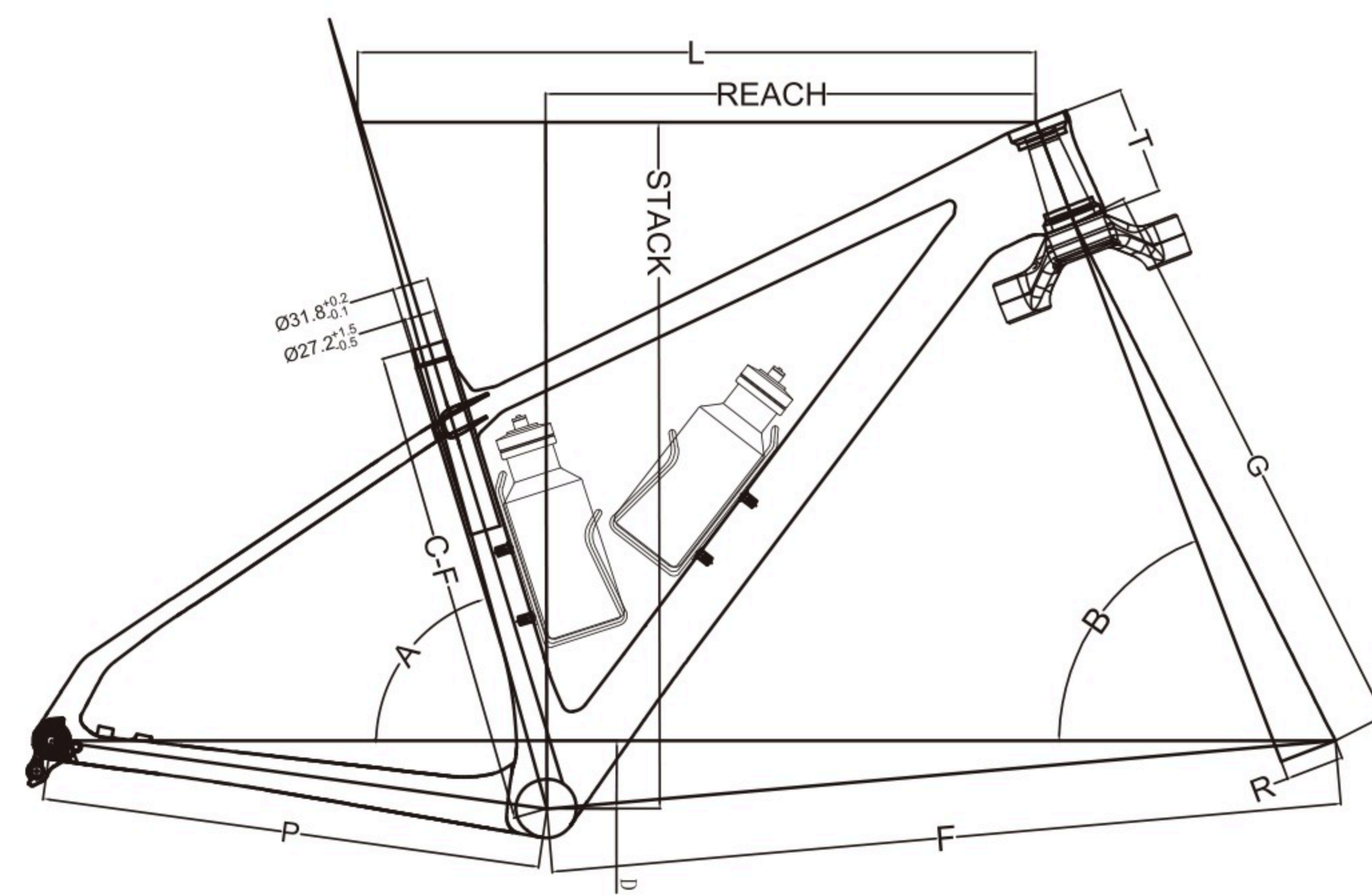
World Cup XC racers, marathon racers, and anyone else with dreams of fast-paced XC glory

Intended use



Geometry

SIZE	S	M	L
CF	395mm	420mm	460mm
L	570mm	596mm	622mm
A	73.0°	73.0°	73.0°
B	69°	69°	69°
F	438mm	438mm	438mm
P	438mm	438mm	438mm
T	90mm	95mm	105mm
D	60mm	60mm	60mm
R	51mm	51mm	51mm
G	507mm	507mm	507mm
REACH	405mm	430mm	455mm
STACK	599mm	604mm	620mm



MOUNTAIN BIKE



S2300-12S

FRAME	TRINX T800 Carbon 29*15.5"/17.5"	RIM	Carbon
FORK	Rockshox SID SL SEL Travel:100mm Remote Lock-Out	TYRE	SCHWALBE 29*2.25" Folding
SHIFTER	SRAM XX1 12S	CHAINWHEEL	SRAM XX1 34T*175M
FD	-	HUB	-
RD	SRAM XX1 12S	SADDLE	SELLE ITALIA X-Cross
CASSETTE	SRAM PG-1230 10-50T	SEATPOST	TRINX Carbon
CHAIN	SRAM GX EAGLE	STEM	-
BRAKE	SRAM DB-LVL-A1	HANDLEBAR	Trinx Carbon fiber integrated handlebars

MOUNTAIN BIKE



S1800-12S

FRAME	TRINX T800 Carbon 29*15.5"/17.5"	RIM	XERO XM-1700
FORK	ROCKSHOX JUDY, Travel:100mm Remote Lock-Out	TYRE	MAXXIS ARDENT RACE 29*2.2"
SHIFTER	SHIMANO XT SL-M8250 12S	CHAINWHEEL	SHIMANO FC-M8100 34T
FD	-	HUB	-
RD	SHIMANO XT RD-M8250 12S	SADDLE	Selle Italia MODEL-X
CASSETTE	SHIMANO XT M8100 10-51T	SEATPOST	TRINX Carbon
CHAIN	KMC 12S	STEM	-
BRAKE	SHIMANO XT M8100	HANDLEBAR	Trinx Carbon fiber integrated handlebars



S1600-12S

FRAME	TRINX T800 Carbon 29*15.5"/17.5"/19"	RIM	Weinmann U32
FORK	Magnesium Air Remote Lock-Out Suspension Travel:100mm	TYRE	MAXXIS 29*2.2"
SHIFTER	SHIMANO DEORE SL-M6250	CHAINWHEEL	SENICX 36T*175mm
FD	-	HUB	Alloy Double Sealed Bearing Disc Hub-BOOST
RD	SHIMANO DEORE RD-M6250	SADDLE	SR Sport
CASSETTE	CS-M9012 Cassette 11-50T	SEATPOST	MAGIX LIGHT ALLOY
CHAIN	KMC 12S	STEM	MAGIX LIGHT ALLOY
BRAKE	SHIMANO BR-MT200 Hydraulic Disc	HANDLEBAR	MAGIX LIGHT ALLOY

VCT SERIES

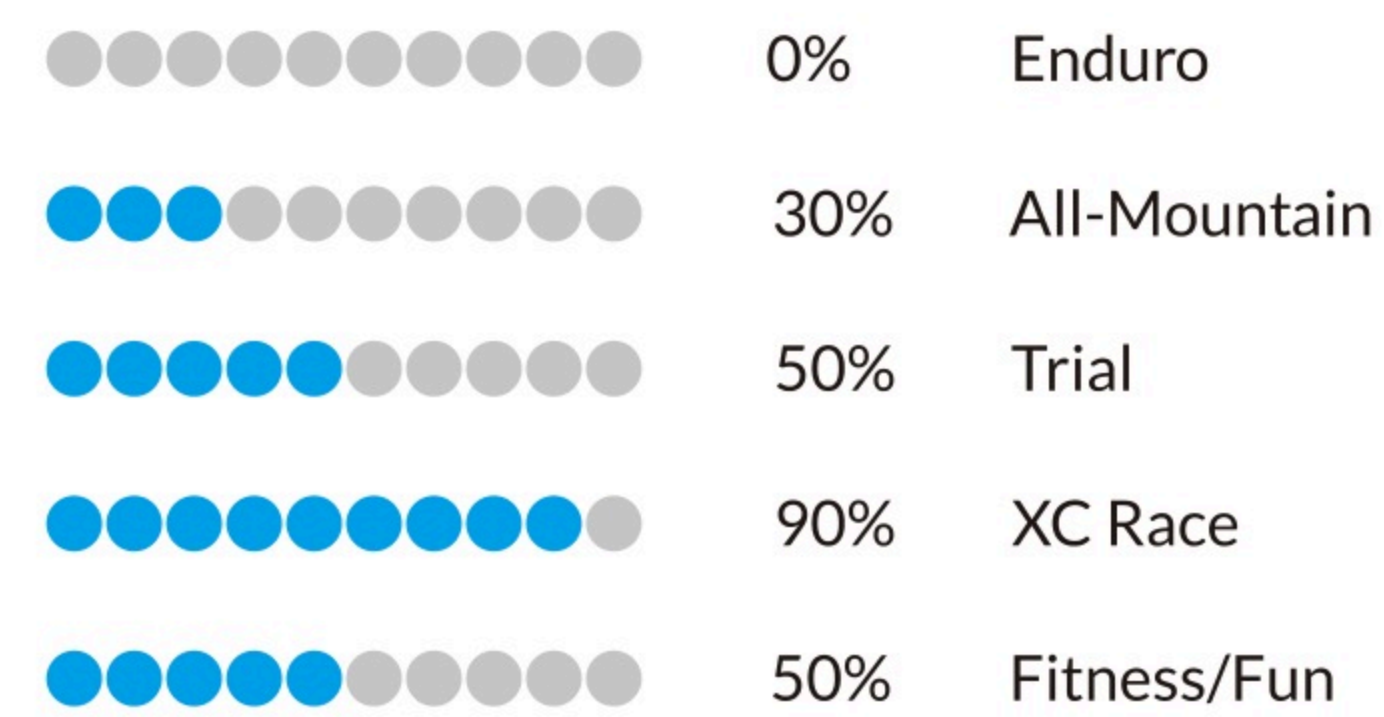
Description

with the confident geometry, medium level spec and advanced frame technology, V series brings you high climbing and sprinting performance.

User profile

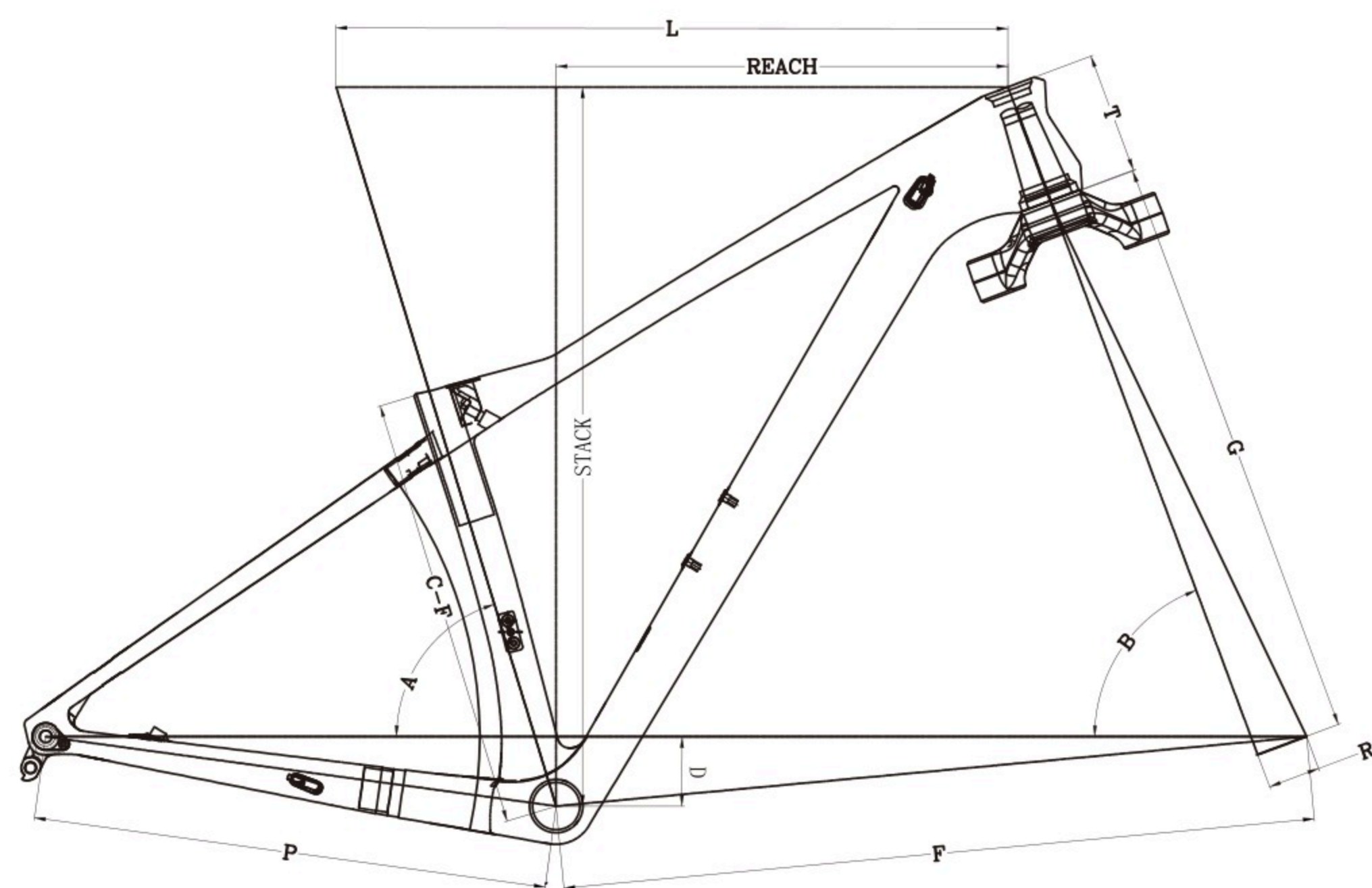
Experienced riders on a budget who want a great climbing, great handling carbon bike

Intended use



Geometry

SIZE	375mm	410mm	448mm
CF	375mm	410mm	448mm
L	580.2mm	600mm	615mm
A	73°	73°	73°
B	69.5°	69.5°	69.5°
F	650.7mm	671.2mm	686.5mm
P	445mm	445mm	445mm
T	105mm	115mm	120mm
D	60mm	60mm	60mm
R	45mm	45mm	45mm
G	510mm	510mm	510mm
REACH	390.1mm	407.5mm	420.9mm
STACK	621.2mm	629.7mm	634.7mm





FULL CARBON FRAME

Carbon fiber frames: Lighter, stronger, smoother. Climb faster, accelerate quicker, and ride longer in comfort.



DIAMOND CUTTING TECHNOLOGY - HEAD TUBE SHAPE

Enhances head tube rigidity, resists deformation during rough off-road riding and aggressive steering, delivering more stable handling.



SHORT CHAINSTAYS

XC race geometry for explosive acceleration, sharp cornering, and precise rear wheel control.

MOUNTAIN BIKE



V1200 PLUS-12S

FRAME	TRINX 29*15"/17"/19" Carbon
FORK	Magnesium Air Remote Lock-Out Suspension Travel:100mm
SHIFTER	SHIMANO XT SL-M8100 1*12S
FD	-
RD	SHIMANO XT RD-M8100 1*12S
CASSETTE	CS-M9012 12S 11-51T
CHAIN	KMC 12S
BRAKE	SHIMANO BR-MT200 Hydraulic Disc

RIM	TRINX Alloy Double Wall
TYRE	KENDA 29*2.1"
CHAINWHEEL	SENICX 36T*175mm
HUB	Alloy Sealed Bearing Disc HUB BOOST:148MM
SADDLE	TRINX Sport
SEATPOST	TRINX Alloy
STEM	TRINX Alloy
HANDLEBAR	TRINX Alloy



V1200 PRO 12S

FRAME	TRINX 29*15"/17"/19" Carbon	RIM	TRINX Alloy Double Wall
FORK	Magnesium Air Remote Lock-Out Suspension Travel:100mm	TYRE	KENDA 29*2.1"
SHIFTER	SHIMANO DEORE SL-M6100 1*12S	CHAINWHEEL	Alloy 36T*170MM
FD	-	HUB	Alloy Sealed Bearing Disc HUB BOOST:148MM
RD	SHIMANO DEORE RD-M6100 1*12S	SADDLE	TRINX Sport
CASSETTE	CS-M9012 12S 11-51T	SEATPOST	TRINX Alloy
CHAIN	KMC X12	STEM	TRINX Alloy
BRAKE	SHIMANO BR-MT200 Hydraulic Disc	HANDLEBAR	TRINX Alloy

X-TREME SERIES

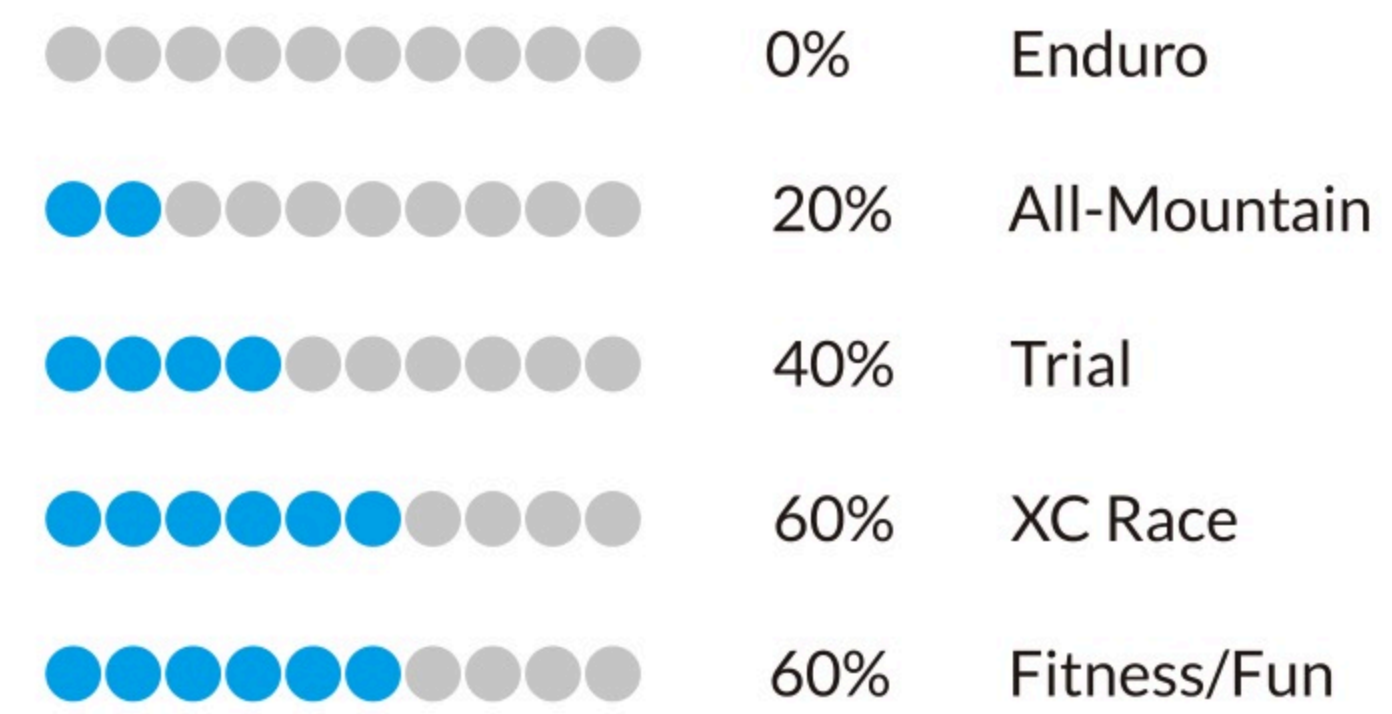
Description

The X Series is mainly concerned with delivering the most important kind of MTB performance - pure, simple, trail-ripping fun! If you're looking for one ideal aluminum alloy fun MTB, that it is.

User profile

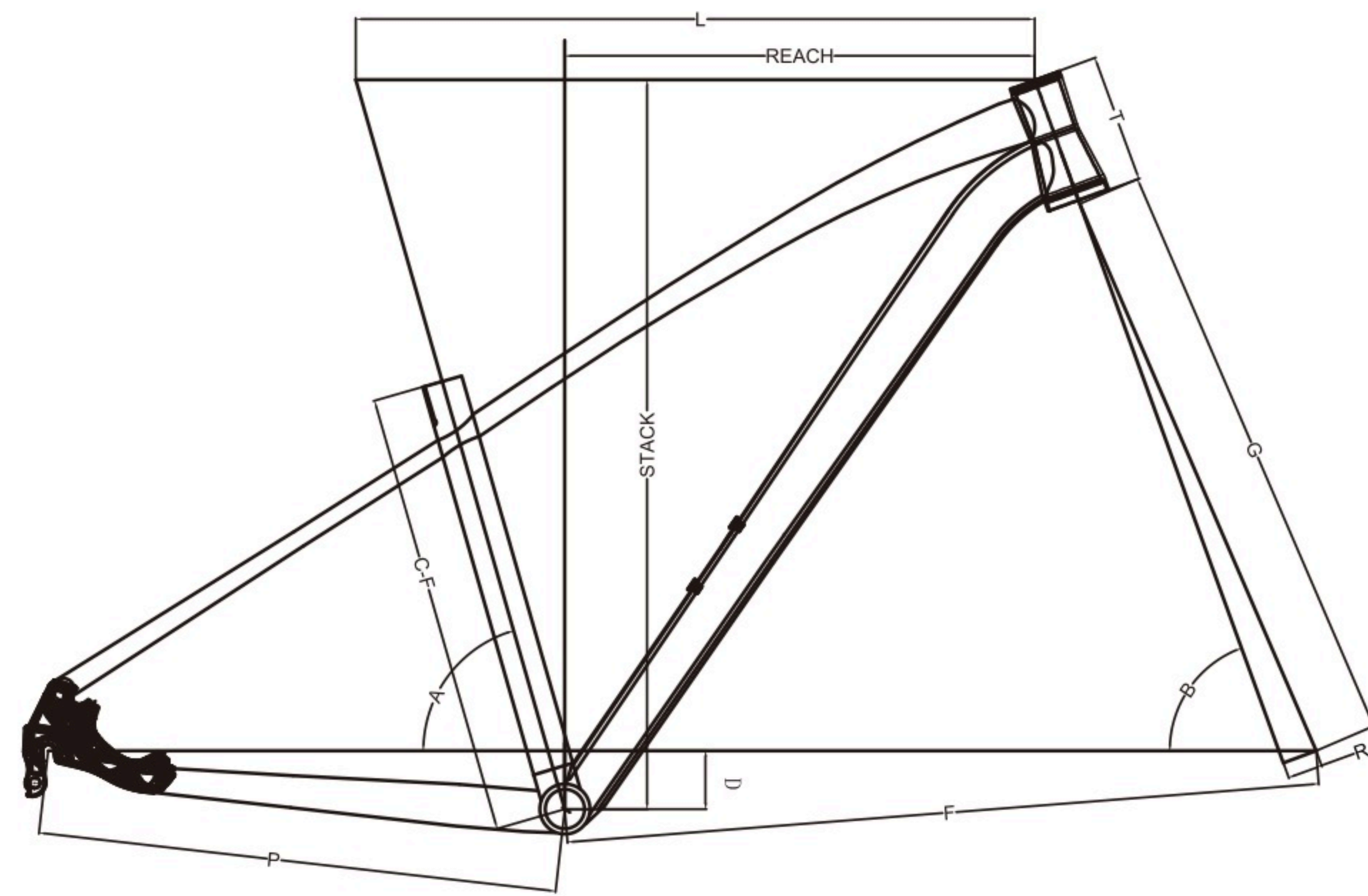
Cross country riders who like to ride for training for better competition performance.

Intended use



Geometry

SIZE	381mm	432mm	483mm
CF	381mm	432mm	483mm
L	581mm	604.3mm	620mm
A	74°	73°	73°
B	70°	70.5°	71°
F	645mm	650.8mm	661mm
P	445mm	445mm	445mm
T	110mm	110mm	115mm
D	50mm	50mm	50mm
R	30mm	30mm	30mm
G	510mm	510mm	510mm
REACH	390.1mm	412.9mm	426.6mm
STACK	624.4mm	626.4mm	633.2mm





LIGHTWEIGHT & HIGH-STRENGTH FRAME

6061 Aluminum Alloy Butted Frame - Lightweight yet tough for easier climbing and faster acceleration.

DURABLE & SCRATCH-RESISTANT

Sandblasted anodizing & paint finish ensure wear resistance, corrosion protection and long-lasting off-road durability.



WIRE-CONTROLLED LOCKOUT SUSPENSION FORK

100mm travel, efficient on roads, absorbent off-road, stable and effortless.

X9 PRO 12S

FRAME	TRINX Alloy 29*15"/17"/19"/21"	RIM	Weinmann Alloy Double Walls
FORK	SR SUNTOUR AIR Suspension Travel:100mm	TYRE	CST 29*2.25"
SHIFTER	SHIMANO DEORE M6100 12S	CHAINWHEEL	SENICX 36T*170mm
FD	-	HUB	Alloy Double Sealed Bearing Disc Hub-BOOST
RD	SHIMANO DEORE M6100 12S	SADDLE	SR Sport
CASSETTE	CS-M9012 Cassette 11-50T	SEATPOST	TRINX ALLOY
CHAIN	KMC 12S	STEM	TRINX ALLOY -17°
BRAKE	SHIMANO BR-MT200 Hydraulic Disc	HANDLEBAR	TRINX ALLOY 720MM



X5 PRO 10S

FRAME	TRINX Alloy 29*15"/17"/19"/21"
FORK	Magnesium AIR Remote Suspension,Travel:100mm
SHIFTER	SHIMANO CUES SL-U6000
FD	-
RD	SHIMANO CUES RD-U6000
CASSETTE	SHIMANO CS-LG400 11-48T
CHAIN	SHIMANO CN-LG500
BRAKE	SHIMANO BR-MT200 Hydraulic Disc

RIM	Alloy Double Walls
TYRE	CST 29*2.10"
CHAINWHEEL	SHIMANO CUES FC-U6000 32T*170MM
HUB	Alloy Double Sealed Bearing Disc Hub-BOOST
SADDLE	TRINX Sport
SEATPOST	TRINX Alloy
STEM	TRINX Alloy
HANDLEBAR	TRINX Alloy

X1 PRO 9S

FRAME	TRINX Alloy 29*15"/17"/19"/21"
FORK	Magnesium AIR Remote Suspension,Travel:100mm
SHIFTER	SHIMANO CUES SL-U4000 9S
FD	-
RD	SHIMANO CUES RD-U4000 9S
CASSETTE	SHIMANO CS-LG300 11-46T
CHAIN	SHIMANO CN-LG500
BRAKE	SHIMANO BR-MT200 Hydraulic Disc

RIM	Alloy Double Walls
TYRE	CST 29*2.10"
CHAINWHEEL	PROWHEEL 34T*170MM
HUB	Alloy Double Sealed Bearing Disc Hub-BOOST
SADDLE	TRINX Sport
SEATPOST	TRINX Alloy
STEM	TRINX Alloy
HANDLEBAR	TRINX Alloy



MOUNTAIN BIKE



M1200 PRO 12S

FRAME	TRINX Alloy 29*15"/17"/19"/21"--BOOST
FORK	Alloy Lock-Out Suspension,Travel:100mm
SHIFTER	SHIMANO DEORE M6100 12S
FD	-
RD	SHIMANO DEORE M6100 12S
CASSETTE	12S 11-50T
CHAIN	12S
BRAKE	SHIMANO MT-200 Hydraulic Disc

RIM	TRINX Alloy Double Walls
TYRE	KENDA 29*2.1"
CHAINWHEEL	Alloy 34T*175MM
HUB	Alloy Double Sealed Bearing
SADDLE	TRINX Sport
SEATPOST	TRINX Alloy
STEM	TRINX Alloy
HANDLEBAR	TRINX Alloy Small Rise

MOUNTAIN BIKE



M800 PRO 18S

FRAME	TRINX Alloy 29*15"/17"/19"/21"
FORK	Alloy Lock-Out Suspension,Travel:100mm
SHIFTER	SHIMANO CUES SL-U4000
FD	SHIMANO CUES FD-U4000
RD	SHIMANO CUES RD-U3020
CASSETTE	SHIMANO CS-LG300 11-36T
CHAIN	SHIMANO CN-LG500
BRAKE	SHIMANO MT200 Hydraulic brake

RIM	Alloy Double Walls
TYRE	CST 29*2.10"
CHAINWHEEL	SHIMANO CUES FC-U4000 22*36T
HUB	Alloy Disc HUB
SADDLE	TRINX Sport
SEATPOST	TRINX Alloy
STEM	TRINX Alloy
HANDLEBAR	TRINX Alloy



M600 PRO 8S

FRAME	TRINX Alloy 29*15"/17"/19"/21"
FORK	Lock-out Suspension,Travel:100mm
SHIFTER	SHIMANO SL-M315 8S
FD	-
RD	SHIMANO ESSA TRD-U2000
CASSETTE	SHIMANO CS-HG300 8S 11-45T
CHAIN	8S
BRAKE	SHIMANO MT200 Hydraulic brake

RIM	TRINX Alloy Double Walls
TYRE	Kenda 29*2.1"
CHAINWHEEL	Alloy 34T*175L
HUB	Alloy Disc hub
SADDLE	TRINX Sport
SEATPOST	TRINX Alloy
STEM	TRINX Alloy
HANDLEBAR	TRINX Alloy Small Rise



MOUNTAIN BIKE



M136 PRO 24S

FRAME	TRINX Alloy 29*15"/17"/19"/21"
FORK	LOCK-Out Suspension,Travel:100mm
SHIFTER	SHIMANO ST-EF500 3*8S
FD	SHIMANO FD-TY300
RD	SHIMANO RD-TY300
CASSETTE	8S 13-32T
CHAIN	8S
BRAKE	Alloy Mechanical Disc

RIM	TRINX Alloy Double Walls
TYRE	CST 29*2.1" 27TPI
CHAINWHEEL	PROWHEEL 24/34/42T
HUB	Alloy Double Sealed Bearing
SADDLE	TRINX Sport
SEATPOST	TRINX Alloy
STEM	TRINX Alloy
HANDLEBAR	TRINX Alloy Small Rise

M136 24S

FRAME	TRINX Alloy 26*15"/17"/19"/21"
FORK	Lock-out suspension Travel: 100mm
SHIFTER	SHIMANO ST-EF500 3*8S
FD	SHIMANO FD-TY300
RD	SHIMANO RD-TY300
CASSETTE	8S 13-32T
CHAIN	8S
BRAKE	TRINX Alloy Mechanical Disc

RIM	TRINX Alloy Double Walls
TYRE	CST 26*1.95"
CHAINWHEEL	PROWHEEL 24/34/42T
HUB	Double Sealed Bearing
SADDLE	TRINX Sport
SEATPOST	TRINX Alloy
STEM	TRINX Alloy
HANDLEBAR	TRINX Alloy Small Rise



M007 PRO 21S

FRAME	TRINX Alloy 29*15"/17"/19"/21"
FORK	Lock-out suspension Travel: 100mm
SHIFTER	SHIMANO SL-M315 3*7S
FD	SHIMANO FD-TZ500
RD	SHIMANO RD-TZ500
CASSETTE	7S 14-28T
CHAIN	7S
BRAKE	TRINX Hydraulic Disc Brake

RIM	TRINX Alloy Double Walls
TYRE	KENDA 29*2.1"
CHAINWHEEL	Steel 24*34*42T*170L
HUB	Steel Disc HUB
SADDLE	TRINX Sport
SEATPOST	TRINX Hi-Ten Steel
STEM	TRINX Alloy
HANDLEBAR	TRINX Hi-Ten Small Rise

K016 21S

FRAME	TRINX Hi-Ten Steel 26*15"/17"/19"
FORK	Suspension Travel: 100mm
SHIFTER	SHIMANO ST-EF41
FD	FD-QD-35N
RD	SHIMANO RD-TY200
CASSETTE	7S 14-28T
CHAIN	7S
BRAKE	Alloy Mechanical Disc

RIM	TRINX Alloy Double Walls
TYRE	KENDA 26*1.95"
CHAINWHEEL	24*34*42T*170L
HUB	Disc HUB
SADDLE	TRINX Sport
SEATPOST	TRINX Hi-Ten Steel
STEM	TRINX Alloy
HANDLEBAR	TRINX Hi-Ten Flat



MOUNTAIN BIKE



N600 ELITE 24S

FRAME	TRINX Alloy 27.5*15"/17"
FORK	Alloy Shoulder Lock-Out Suspension, Travel: 100MM
SHIFTER	SHIMANO SL-EF500
FD	SHIMANO FD-TY600
RD	SHIMANO RD-TY300
CASSETTE	CS-M3008 8S 11-32T
CHAIN	8S
BRAKE	TRINX Alloy Mechanical Disc

RIM	TRINX Alloy Double Wall
TYRE	CST 27.5*2.1" 27TPI
CHAINWHEEL	PROWHEEL 24/34/42T*170L
HUB	Alloy Double Sealed Bearing
SADDLE	TRINX Comfort
SEATPOST	TRINX Alloy
STEM	TRINX Alloy
HANDLEBAR	TRINX Alloy Small Rise

MOUNTAIN BIKE



N106 21S

FRAME	TRINX Alloy 26*14"
FORK	Lock-Out Suspension, Travel: 100MM
SHIFTER	SHIMANO SL-EF500
FD	SHIMANO FD-TY300
RD	SHIMANO RD-TY200
CASSETTE	7S 14-28T
CHAIN	7S
BRAKE	TRINX Alloy Mechanical Disc

RIM	TRINX Alloy Double Wall
TYRE	CST 26*2.1"
CHAINWHEEL	TRINX 24/32/42T*170L
HUB	Alloy Double Sealed Bearing
SADDLE	TRINX Comfort
SEATPOST	TRINX Alloy
STEM	TRINX Alloy
HANDLEBAR	TRINX Alloy Small Rise



N104 21S

FRAME	TRINX Alloy 24"
FORK	Lock-Out Suspension, Travel: 100MM
SHIFTER	SHIMANO SL-EF500
FD	SHIMANO FD-TY300
RD	SHIMANO RD-TY200
CASSETTE	7S 14-28T
CHAIN	7S
BRAKE	TRINX Alloy Mechanical Disc

RIM	TRINX Alloy Double Wall
TYRE	CST 24*1.95"
CHAINWHEEL	TRINX 24/32/42T*170L
HUB	Alloy Double Sealed Bearing
SADDLE	TRINX Comfort
SEATPOST	TRINX Alloy
STEM	TRINX Alloy
HANDLEBAR	TRINX Alloy Small Rise

Premium design and cutting-edge technology come together in the following standout features: carbon fiber frames: fully hidden shifter cables and brake housings integrated into the handlebars and a high-intensity, aerodynamically designed frameset.

The ultra-wide bottom bracket structure and asymmetrical frame tubes significantly improve frame rigidity. The renewed bent front fork also enhances the cornering performance.

The TDO is compatible with both classic rim brakes and disc brake systems, meeting different needs for weight savings and brake performance. Impossible to resist the overall shape of the body and its innovative concept.

ROAD BIKES

TRINX.COM



TDO SERIES

Description

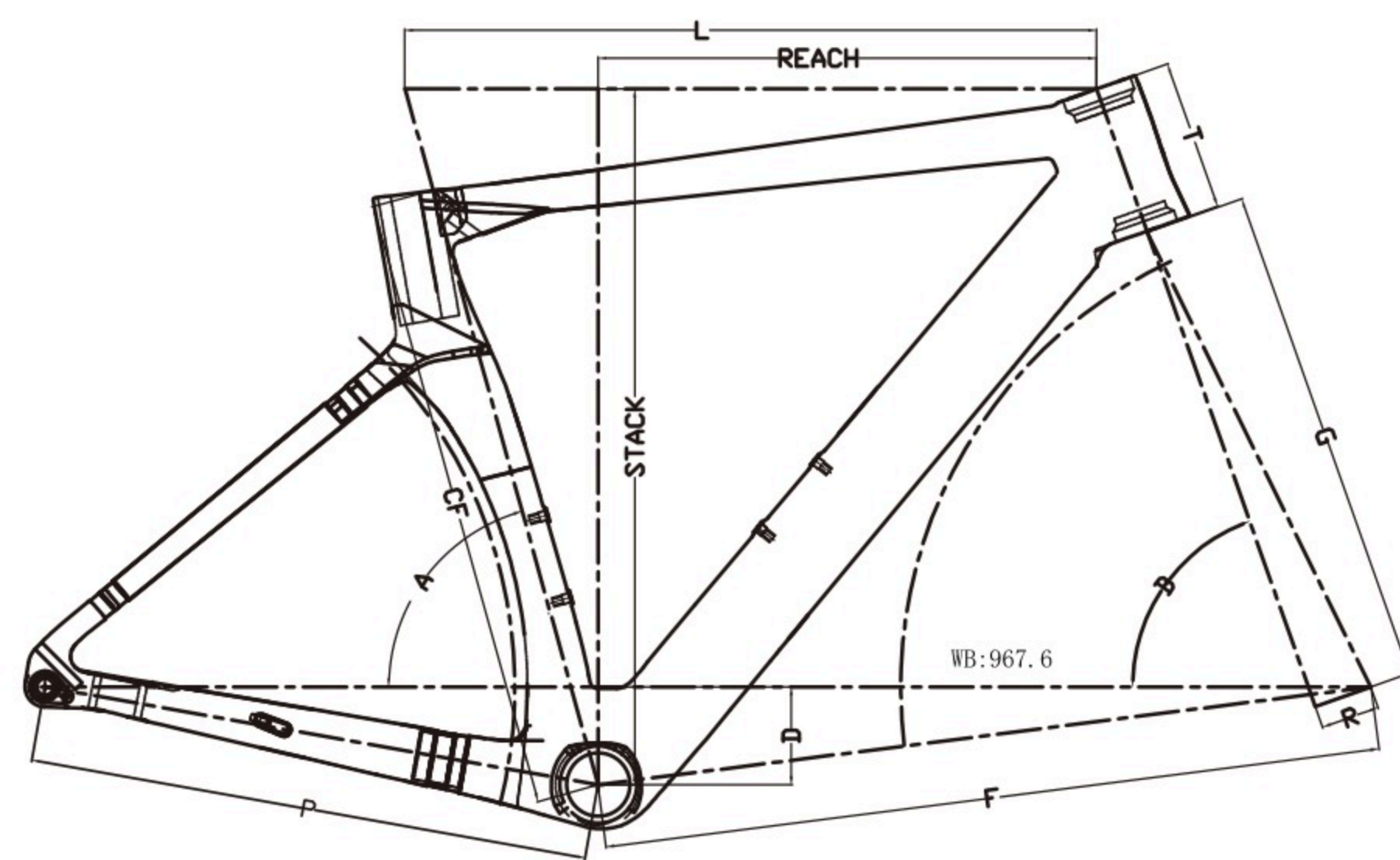
The TDO Series is TRINX's best road racing bike ever made, thanks to its ultralight weight and aero frame design it takes to go fast. New designed compact frame makes riding comfort and smooth.

User profile

Aspiring road racers, performance oriented fitness riders, serious racers wanting a cost conscious training bike.

Geometry

SIZE	XXS	XS	S	L
CF	450mm	480.9mm	510.1mm	550.0mm
L	505.0mm	520.0mm	535.4mm	577.9mm
A	74.5°	74.5°	74.0°	73.0°
B	70.5°	71.5°	72.3°	73.5°
F	568.6mm	575.4mm	579.2mm	600.5mm
P	410mm	410mm	410mm	410mm
T	110.0mm	115.0mm	122.0mm	160.0mm
D	71.5mm	71.5mm	71.5mm	71.5mm
R	43.0mm	43.0mm	43.0mm <td 43.0mm	
G	367.0mm	367.0mm	367.0mm	367.0mm
REACH	363.8mm	377.0mm	384.9mm	405.0mm
STACK	507.7mm	515.9mm	525.1mm	565.5mm





FULL CARBON FRAME

All models come standard with 105 groupset and carbon frame, no compromise on specifications. Precise shifting for road racing performance. Lightweight carbon frame design reduces riding resistance.

HIGH DURABILITY

Oversized head tube & bottom bracket for superior strength, ideal for humid heat, steep hills and congested cities. Lower maintenance required.



INTERNAL CABLE ROUTING

1. Lower wind resistance, cleaner look, and extended cable life.
2. Stable shifting & braking, safer riding with zero snags.

ROAD BIKE



TDO TEAM-24S

FRAME	TRINX 700C*45/48/51/53CM Carbon	RIM	Carbon Rim
FORK	700C Carbon	TYRE	MAXXIS, M225, 700C*28C
SHIFTER	SHIMANO 105 ST-R7150 DI2 2*12S	CHAINWHEEL	SHIMANO 105 FC-R7100 34/50T*170MM
FD	SHIMANO FD-R7150	SADDLE	SR Sport
RD	SHIMANO RD-R7150 DI2	SEATPOST	TRINX Carbon
CASSETTE	SHIMANO 105 CS-R7100 34T	STEM	-
CHAIN	SHIMANO CN-M7100 12S	HANDLEBAR	TRINX Carbon Fiber Integrated Bent Handle
BRAKE	SHIMANO 105 BR-R7170		

RAPID SERIES

Description

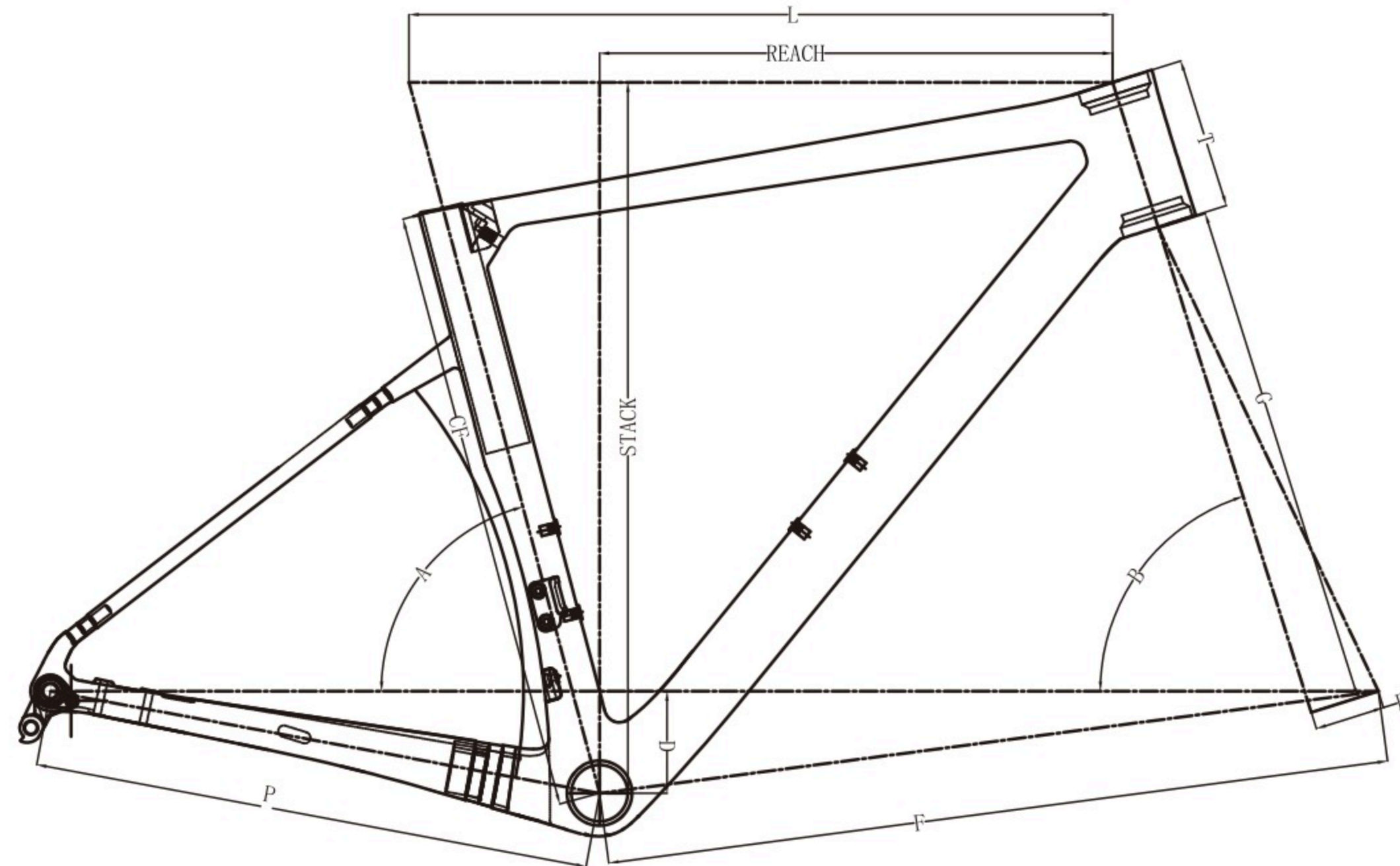
Whether fast group rides or long-distance competition, the new designed RAPID's light weight, comfortable riding position will make you ride faster, ride longer and ride more.

User profile

Racers, fast club riders and anyone else looking for a high-performance alternative to carbon.

Geometry

SIZE	460mm	480mm	510mm
CF	439mm	459mm	480mm
L	510mm	525mm	550mm
A	75°	74°	73.5°
B	72.5°	73°	73°
F	569.4mm	571.0mm	585.9mm
P	405.0mm	405.0mm	405.0mm
T	110mm	120mm	140mm
D	74mm	74mm	72mm
R	51mm	51mm	51mm
G	368mm	368mm	368mm
REACH	371.9mm	374.0mm	383.5mm
STACK	515.5mm	526.5mm	545.3mm





F8 EVO-24S

FRAME	TRINX 700C*46/48/51/53CM Carbon	RIM	Carbon
FORK	700C Carbon	TYRE	MAXXIS,M225,700C*28C
SHIFTER	SHIMANO 105 ST-R7150 DI2 2*12S	CHAINWHEEL	SHIMANO 105 FC-R7100 34/50T*170MM
FD	SHIMANO FD-R7150	SADDLE	TRINX Sport
RD	SHIMANO RD-R7150 DI2	SEATPOST	TRINX Carbon
CASSETTE	SHIMANO 105 CS-R7100 34T	STEM	-
CHAIN	SHIMANO CN-M7100 12S	HANDLEBAR	TRINX Carbon Fiber Integrated Bent Handle
BRAKE	SHIMANO 105 BR-R7170		

F8-24S

FRAME	TRINX 700C*46/48/51/53CM Carbon	RIM	Carbon
FORK	700C Carbon	TYRE	MAXXIS,M225,700C*28
SHIFTER	SHIMANO 105 ST-R7120 2*12S	CRANKSET	SHIMANO 105 FC-R7100 34/50T*170MM
FD	SHIMANO 105 FD-R7100	SADDLE	TRINX Sport
RD	SHIMANO 105 RD-R7100	SEATPOST	TRINX Carbon
CASSETTE	SHIMANO 105 CS-R7100 11-34T	STEM	-
CHAIN	SHIMANO CN-M7100 12S	HANDLEBAR	TRINX Carbon Fiber Integrated Bent Handle
BRAKE	SHIMANO 105 BR-R7170		





ROAD BIKE



SWIFT 2.0-22S

FRAME	TRINX Alloy Smooth Welding 700C×46/48/50/52CM	RIM	TRINX Double Wall 700C
FORK	Alloy 700C	TYRE	CST 700*28C
SHIFTER	SHIMANO 105 ST-R7020 2*11S	CHAINWHEEL	PROWHEEL Alloy 34/*50T
FD	SHIMANO 105 FD-R7000	HUB	Alloy Sealed Bearing
RD	SHIMANO 105 RD-R7000	SADDLE	TRINX Sport
CASSETTE	SUNSHINE 11S 11-32T	SEATPOST	TRINX Alloy
CHAIN	KMC X11	STEM	TRINX Alloy
BRAKE	SHIMANO Hydraulic brake	HANDLEBAR	TRINX Alloy Integrated Bent Handle



ROAD BIKE



SWIFT 1.0-16S

FRAME	TRINX Alloy Smooth Welding 700C×46/48/50/52CM	RIM	TRINX Double Wall 700C
FORK	Alloy 700C	TYRE	CST 700*28C
SHIFTER	SHIMANO CLARIS ST-R2000 2*8S	CHAINWHEEL	Alloy 34/*50T
FD	SHIMANO CLARIS FD-R2000	HUB	Alloy Sealed Bearing
RD	SHIMANO CLARIS RD-R2000	SADDLE	TRINX Sport
CASSETTE	SUNSHINE 8S 11-28T	SEATPOST	TRINX Alloy
CHAIN	8S	STEM	TRINX Alloy
BRAKE	Alloy Mechanical Disc	HANDLEBAR	TRINX Alloy

MIRA SERIES

Description

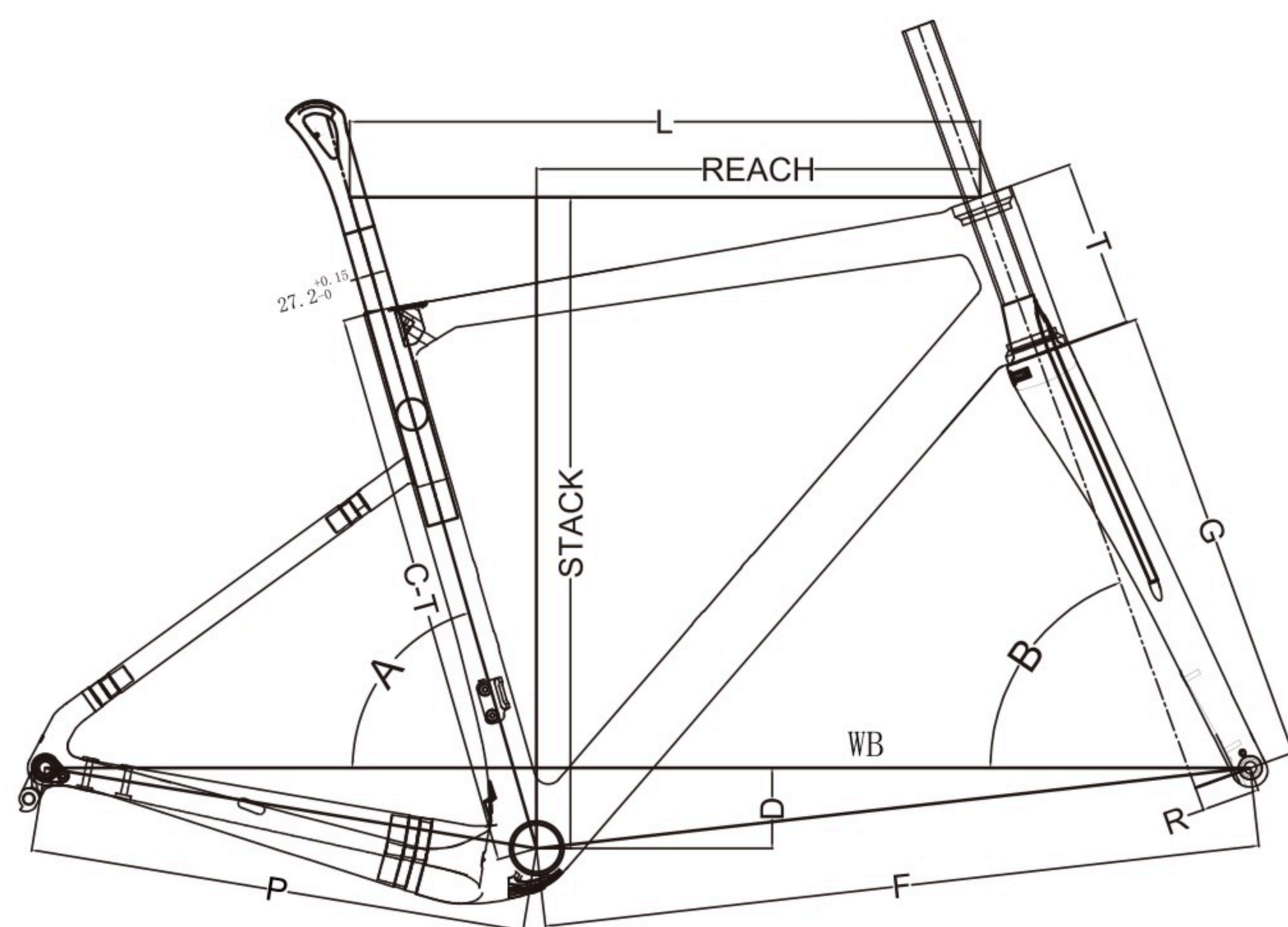
MIRA Series is our top-of-the-line gravel bike model. It features a lightweight carbon frame, stable off-road geometry, reliable disc brakes, and wide tire clearance. Designed for comfort, speed, and durability on mixed terrain, it delivers excellent performance for both adventure rides and long-distance cycling.

User profile

The TRINX MIRA series targets high-end gravel bike users: quality-focused cycling enthusiasts who pursue performance, comfort, and adventure on mixed terrains.

Geometry

SIZE	S	M	L
CF	461.6mm	481.0mm	501.0mm
L	520mm	540mm	560mm
A	74°	74°	74°
B	70°	70°	70°
F	594.7mm	615.7mm	637.2mm
P	427mm	427mm	427mm
T	125mm	143mm	136mm
D	69mm	69mm	69mm
R	50mm	50mm	50mm
G	395mm	395mm	395mm
REACH	365.4mm	380.5mm	395.2mm
STACK	541.5mm	558.5mm	577.1mm





FULL CARBON FRAME

Full carbon frame, fork, handlebar and seat post. Lightweight, stiff and efficient for all-day comfort.

GRAVEL-OPTIMIZED GEOMETRY

Gravel-optimized all-road geometry, enhanced stability & handling off-road.



INTEGRATED INTERNAL CABLE ROUTING

Full internal cable routing for clean aesthetics, lower drag, and enhanced cable durability.



ALL-ROAD WHEELSET, WIDE TIRE READY

700c wide gravel wheelset & wide knobby tire compatible. Versatile for gravel, trails and road.

ROAD BIKE



MIRA 3.0 13S

FRAME	TRINX 700C*43/46/48/51/53CM Carbon	RIM	Carbon
FORK	700C Carbon	TYRE	Maxxis 700x40c
SHIFTER	SRAM Force AXS XPLR 13s	CHAINWHEEL	SRAM Force 42T*170L
FD	-	SADDLE	SELLE ROYAL
RD	SRAM Force AXS XPLR	SEATPOST	TRINX Carbon
CASSETTE	SRAM XG-1371 XPLR 13s	STEM	-
CHAIN	SRAM Force E1 13S	HANDLEBAR	TRINX Carbon Fiber Integrated Bent Handle
BRAKE	SRAM Force AXS HRD Hydraulic Disc		



MIRA 2.0 12S

FRAME	TRINX Carbon 700C×46/48/50/52CM	RIM	Alloy double-wall 700C
FORK	TRINX Carbon	TYRE	MAXXIS 700C*40C
SHIFTER	SHIMANO GRX,BL-RX610	CHAINWHEEL	SHIMANO FC-RX820, 42t
FD	-	HUB	Alloy Sealed Bearing
RD	SHIMANO GRX RD-RX822	SADDLE	SELLE ROYAL
CASSETTE	SHIMANO CS-M7100,SLX,12S 10-51T	SEATPOST	TRINX Carbon
CHAIN	SHIMANO CN-M7100 12S	STEM	TRINX Alloy
BRAKE	SHIMANO GRX Hydraulic Disc	HANDLEBAR	TRINX Alloy



GTR 3.0 12S

FRAME	TRINX 700C*46/50/54CM Road Alloy Ltaly Smooth Welding
FORK	Carbon 700C
SHIFTER	SHIMANO GRX ST-RX600 12S
FD	-
RD	SHIMANO GRX RD-RX822 12s
CASSETTE	CS-R9012 12S 11-52T
CHAIN	KMC X12
BRAKE	SHIMANO GRX BR-RX400 Hydraulic Disc

RIM	Alloy Double Wall 700C
TYRE	MAXXIS 700*40C
HUB	Alloy Sealed Bearing
CHAINWHEEL	PROWHEEL 40T
SADDLE	TRINX Sport
SEATPOST	TRINX Alloy
STEM	TRINX Alloy
HANDLEBAR	TRINX Alloy Road

GTR 1.0 16 S

FRAME	TRINX 700C*46/50/52/54CM Alloy
FORK	Alloy 700C
SHIFTER	SHIMANO CLARIS ST-R2000 2*8S
FD	SHIMANO CLARIS FD-R2000
RD	SHIMANO CLARIS RD-R2000
CASSETTE	SUNSHINE 8S 11-32T
CHAIN	8S
BRAKE	Alloy Mechanical Disc

RIM	TRINX Double Wall 700C
TYRE	KENDA 700*40C
CHAINWHEEL	Alloy 34/50T*170L
HUB	Double Sealed Bearing
SADDLE	TRINX Sport
SEATPOST	TRINX Alloy
STEM	TRINX Alloy
HANDLEBAR	TRINX Alloy Road





TEMPO 300-14S

FRAME	TRINX Alloy 700C×460/490/510mm
FORK	Hi-Ten Steel 700C
SHIFTER	SHIMANO ST-A070
FD	SHIMANO FD-TZ510
RD	SHIMANO RD-TZ500
CASSETTE	7S 14-28T
CHAIN	7S
BRAKE	Alloy Mechanical Disc

RIM	TRINX Double Wall 700C
TYRE	CST 700*28C
CHAINWHEEL	Steel,38/*48T*170L
HUB	Alloy Sealed Bearing
SADDLE	TRINX Sport
SEATPOST	TRINX Alloy
STEM	TRINX Alloy
HANDLEBAR	TRINX Alloy Road

TEMPO 100-21S

FRAME	TRINX Alloy 700C×460/490/510mm
FORK	Hi-Ten Steel 700C
SHIFTER	SHIMANO SL-A050
FD	SHIMANO FD-TZ510
RD	SHIMANO RD-TY200
CASSETTE	7S 14-28T
CHAIN	7S
BRAKE	Alloy Mechanical Disc

RIM	TRINX Double Wall 700C
TYRE	CST 700*28C
CHAINWHEEL	TRINX 28/38/48T*170L
HUB	Double Sealed Bearing
SADDLE	TRINX Sport
SEATPOST	TRINX Steel
STEM	TRINX Alloy
HANDLEBAR	TRINX Steel Road



ROAD BIKE



FREE 5.0-10S

FRAME	TRINX Alloy 700Cx42/45/47/50/52CM	RIM	TRINX 700C Double Alloy Walls
FORK	Steel 700c	TYRE	KENDA 700C*35C
SHIFTER	SHIMANO CUES SL-U6000 10S	CHAINWHEEL	Alloy 42T*170L
FD	-	HUB	Double Sealed Bearing
RD	SHIMANO CUES RD-U6000 10S	SADDLE	TRINX Sport
CASSETTE	10S 11-40T	SEATPOST	TRINX Alloy
CHAIN	10S	STEM	TRINX Alloy
BRAKE	TEKTRO Hydraulic Disc	HANDLEBAR	TRINX Alloy Small Rise

ROAD BIKE



FREE 2.0-24S

FRAME	TRINX Alloy700Cx42/45/48/51cm	RIM	TRINX Alloy Double Walls 700C
FORK	Steel 700c	TYRE	KENDA 700C*35C
SHIFTER	SHIMANO SL-M315	CHAINWHEEL	PROWHEEL 28/38/48T
FD	SHIMANO FD-TY610	HUB	Alloy Double Sealed Bearing
RD	SHIMANO RD-TX800	SADDLE	TRINX Sport
CASSETTE	SUGEK CS-M3008 8S 11-32T	SEATPOST	TRINX Alloy
CHAIN	KMC 8S	STEM	TRINX Alloy
BRAKE	TEKTRO Hydraulic Disc	HANDLEBAR	TRINX Alloy Small Rise



FREE 1.0-8S

FRAME	TRINX Alloy 700Cx42/45/47/50/52CM	RIM	TRINX 700C Double Alloy Walls
FORK	Steel 700c	TYRE	KENDA 700C*35C
SHIFTER	SHIMANO ST-M315	CHAINWHEEL	Alloy 42T*170L
FD	-	HUB	Double Sealed Bearing
RD	SHIMANO ACERA RD-M3020	SADDLE	TRINX Sport
CASSETTE	8S 11-40T	SEATPOST	TRINX Alloy
CHAIN	8S	STEM	TRINX Alloy
BRAKE	Alloy Mechanical Disc	HANDLEBAR	TRINX Alloy Small Rise

FOLDING BIKE



FOLDING BIKES



FFOX 1.0-10S

FRAME	TRINX Carbon 20"*290mm Folding
FORK	TRINX Carbon
SHIFTER	SHIMANO TIAGRASL4700 10S
FD	SHIMANO TIAGRA RD-R4700 10S
RD	SHIMANO CS-HG500-0S 11-28T
CASSETTE	KMC10S
CHAIN	TEKTRO Mechanical Disc
BRAKE	TRINX Alloy Double wall

RIM	TRINX Alloy Double wall
TYRE	KENDA K1018 20"*1-1/8"60TPI
CHAINWHEEL	PROWHEEL Aloy 53T*17OL
HUB	Alloy Sealed Bearing
SADDLE	TRINX Sport
SEATPOST	TRINX Alloy
STEM	TRINX Alloy Folding
HANDLEBAR	TRINX Alloy Flat

FLYBIRD 4.0-10S

FRAME	TRINX Alloy 20" Folding
FORK	TRINX Alloy
SHIFTER	SHIMANO TIAGRA SL-4700 10S
FD	-
RD	SHIMANO TIAGRA RD-R4700 10S
CASSETTE	SHIMANO CS-HG500-10S 11-28T
CHAIN	KMC10S
BRAKE	SHIMANO MT-200 Hydraulic Disc
RIM	TRINX Alloy Double Wall
TYRE	KENDA K1018 20"*1-1/8" 60TPI
CHAINWHEEL	PROWHEEL Alloy 50T*17OL
HUB	Alloy Sealed Bearing
SADDLE	TRINX Sport
SEATPOST	TRINX Alloy
STEM	TRINX Alloy Folding
HANDLEBAR	TRINX Alloy Flat



FLYBIRD 1.0-9S

FRAME	TRINX Alloy 20" Folding
FORK	TRINX Alloy
SHIFTER	SHIMANO SORA SL-3000 9S
FD	-
RD	SHIMANO SORA RD-R3000 9S
CASSETTE	CS-R5009,11-25T
CHAIN	KMC 9S
BRAKE	Alloy Mechanical Disc
RIM	TRINX Alloy Double Wall
TYRE	"KENDA 20*1.5"
CHAINWHEEL	PROWHEEL Alloy 50T*17OL
HUB	Alloy Sealed Bearing
SADDLE	TRINX Sport
SEATPOST	TRINX Alloy
STEM	TRINX Alloy Folding
HANDLEBAR	TRINX Alloy Flat





DOLPHIN 2.0-8S

FRAME	TRINX Alloy 20"x305mm Folding
FORK	20"Hi-Ten Stee
SHIFTER	SHIMANO SLRS35-7R
FD	-
RD	SHIMANO RD-TY300
CASSETTE	Free Wheel 7S 14-28T
CHAIN	MAYA 7S
BRAKE	Alloy Mechanical Disc

RIM	STARS Alloy Double Wall
TYRE	CST 20*1.5"
CHAINWHEEL	PROWHEEL Alloy 52T
HUB	Alloy Sealed Bearing
SADDLE	TRINX Comfort
SEATPOST	TRINX Alloy
STEM	TRINX Alloy Folding
HANDLEBAR	TRINX Alloy Flat

LIFE 2.0-7S

FRAME	TRINX 20"*228mm Alloy
FORK	Imitation Alloy Shoulder Suspension Travel:30mm
SHIFTER	SHIMANO SL-RV200
FD	-
RD	SHIMANO RD-TY200
CASSETTE	Free Wheel 7S 14-28T
CHAIN	MAYA 7S
BRAKE	Alloy Mechanical Disc

RIM	TRINX Alloy Double Wall
TYRE	CHAOYANG 20*2.0" Rubber
CHAINWHEEL	Steel 36T
HUB	Steel Disc HUB
SADDLE	TRINX Comfort
SEATPOST	TRINX Steel
STEM	TRINX Alloy
HANDLEBAR	TRINX Steel Small Rise





E-BIKES



FULL CARBON FRAME

Full carbon frame, fork, handlebar & seat post. Lightweight, strong, and ultra-maneuverable for e-bikes.



INTEGRATED INTERNAL CABLE ROUTING

Full internal cable routing for a clean, sleek look, reduced wind resistance and cable wear. E-bike system compatible for easier maintenance.



MID-DRIVE TORQUE MOTOR SYSTEM

75N·m high torque, smooth and linear power assist, ample strength for climbing and off-road riding.



E-GRAVEL

FRAME	700C" Carbon Gravel Frame	RIM	Carbon
FORK	700C" Carbon	TYRE	Maxxis 700×40C, 60TPI
SHIFTER	SRAM Force AXS XPLR 13S	HUB	-
RD	SRAM Force AXS XPLR 13s	SADDLE	W165 Comfort
CASSETTE	SRAM XG-1371 XPLR 13s	SEATPOST	Carbon
CHAIN	SRAM	STEM	Carbon
BRAKE	SRAM Force AXS HRD	HANDLEBAR	TRINX Integrated Carbon
E-DRIVE SYSTEM	BAFANG M820, 36V250W	POWER SPEED LIMITED	25KM/H
BATTERY	36V/10AH		

E-BIKES



P800 PRO

FRAME	29"Alloy S/M/L	CHAIN	KMC X10
FORK	29"SR Suntour XCR Air Remote Lock-Out	BRAKE	SHIMANO MT200 Hydraulic Disc
E-DRIVE SYSTEM	Mid Motor-drive Motor System 48V,500W	RIM	Alloy Double Wall
BATTERY	48V,15AH	TYRE	MAXXIS 29*2.25"
DISPLAY	LCD	CHAINWHEEL	/
MOTOR	Mid-motor x700 48v/500W	HUB	Alloy Double Sealed Bearing
SHIFTER	SHIMANO SL-M4100 10s	SADDLE	Trinx Sport
FD	/	SEATPOST	TRINX Alloy
RD	SHIMANO RDM4120 10s	STEM	TRINX Alloy
CASSETTE	10S 11-46T	HANDLEBAR	TRINX Alloy

E-BIKES



GROOVE

E-DRIVE SYSTEM	JINYUANTAI 36V,350W Rear Drive System	BRAKE	REPUTE Alloy Mechanic Disc Brake
BATTERY	36V/10.4AH	RIM	Alloy Double Wall
POWER SPEED LIMITED	32KM/H	HUB	Integrated with rear rim
FRAME	27.5*15.5"/17.5" Alloy Frame	TYRE	CST C-1820,27.5*2.1"
FORK	688DML 27.5" Alloy,Lock-Out,Travel:100mm	SADDLE	Trinx Comfort
SHIFTER	SHIMANO ASLTX30R7AT7S	SEAT POST	Trinx Alloy
RD	SHIMANO RD-TY300,TOURNEY	STEM	Trinx Alloy
CASSETTE	KDF-71114-28T7S	HANDLE BAR	Trinx Alloy
CHAIN	M50 114L 7S		



CONCEPT

E-DRIVE SYSTEM	Rear-drive Motor System	RD	SHIMANO, RD-TZ500 7S
CONTROLLER	JIN YUANTAI	CASSETTE	14-28T,7S
BATTERY	36V,7.5AH,2600mAH	CHAIN	112L
DISPLAY	LCD	BRAKE LEVER	Alloy, w/senser control
MOTOR	36V/350W	BRAKE	hydraulic disc brake
SENSOR	Speed Senor	RIM	Alloy, Double Wall
FRAME	27.5" Alloy	TVRE	27.5* 2.10"
FORK	lock out suspension fork	CHAINWHEEL	40T*170L, Steel crank
SHIFTER	SHIMANO, ASLTX30 7S	SADDLE	Soft Saddle



E-RUBIK 7S

E-DRIVE SYSTEM	JINYUANTAI 36V,350W Rear Drive System	CHAIN	106L 7S
BATTERY	36V,7.8AH	RIM	Trinx Alloy Double Wall
POWER SPEED LIMITED	32KM/H	HUB	Steel Disc
FRAME	20"*350mm Alloy Folding Frame	TYRE	KENDA 20*1.95"
FORK	20" Steel Suspension Fork	SADDLE	Trinx Comfort
SHIFTER	SHIMANO ASLTX50R7CT 7S	SEAT POST	Trinx Alloy
RD	SHIMANO RD-TY300,TOURNEY	STEM	Trinx Alloy
CASSETTE	SHIMANO MF-TZ500-7,14-28T	HANDLE BAR	Trinx Alloy
BRAKE	X-SPARK Alloy Mechanic Disc Brake		

SPEAR

E-DRIVE SYSTEM	Rear-drive Motor System	RD	SHIMANO, RD-TY300,7S
CONTROLLER	JIN YUANTAI	CASSETTE	KDF-711,14-28T
BATTERY	36V,7.8AH	CHAIN	KMC 7S
DISPLAY	LCD	BRAKE LEVER	Alloy, w/senser control
MOTOR	36V,350W	BRAKE	mechanical disc brake
SENSOR	Speed Senor	RIM	Alloy, 20", Width80MM
FRAME	20"x410mm, 6061 Alloy, Folding	TYRE	CST,C-1752,20"x4.0"
FORK	290(ML0),travel45mm	CHAINWHEEL	48T*170L, Steel, Alloy crank
SHIFTER	SHIMANO,ASLTX50R7CT,7S	SADDLE	Soft Saddle





KIDS

KIDS



SMART 24-7S

FRAME	TRINX 24*13" Alloy
FORK	Suspension Travel:50mm
SHIFTER	SHIMANO SL-RV200
FD	-
RD	SHIMANO RD-TY200
CASSETTE	Free Wheel 7S14-28T
CHAIN	7S
BRAKE	Alloy Mechanical Disc

RIM	TRINX Alloy Double Wall
TYRE	CHAOYANG 24*1.95"
CHAINWHEEL	Steel 36T
HUB	Steel Sealed Bearing
SADDLE	TRINX Comfort
SEATPOST	TRINX Steel
STEM	TRINX Alloy
HANDLEBAR	TRINX Steel

SMART 20-7S

FRAME	TRINX 20**228mm Alloy
FORK	Imitation Alloy Shoulder Suspension Travel:30mm
SHIFTER	SHIMANO SL-RV200
FD	-
RD	SHIMANO RD-TY200
CASSETTE	Free Wheel 7S 14-28T
CHAIN	MAYA 7S
BRAKE	Alloy Mechanical Disc

RIM	TRINX Alloy Double Wall
TYRE	CHAOYANG 20*2.0" Rubber
CHAINWHEEL	Steel 36T
HUB	Steel Disc HUB
SADDLE	TRINX Comfort
SEATPOST	TRINX Steel
STEM	TRINX Alloy
HANDLEBAR	TRINX Steel Small Rise

KIDS



JUNIOR 24-7S

FRAME	TRINX 24*13.5" Alloy
FORK	Suspension,Travel:50mm
SHIFTER	SHIMANO SL-RV200
FD	-
RD	SHIMANO RD-TY200
CASSETTE	Free Wheel 7S 14-28T
CHAIN	7S
BRAKE	Alloy Mechanical Disc

RIM	TRINX Alloy Double Wall
TYRE	CHAOYANG 24*1.95"
CHAINWHEEL	Steel 36T
HUB	Steel Sealed Bearing
SADDLE	TRINX Comfort
SEATPOST	TRINX Steel
STEM	TRINX Alloy
HANDLEBAR	TRINX Steel



JUNIOR 20-7S

FRAME	TRINX 20*11" Alloy
FORK	Suspension Travel:30mm
SHIFTER	SHIMANO SL-RV200
FD	-
RD	SHIMANO RD-TY200
CASSETTE	Free Wheel 7S 14-28T
CHAIN	7S
BRAKE	Alloy Mechanical Disc

RIM	TRINX Alloy Double Wall
TYRE	CHAOYANG 20*1.95"
CHAINWHEEL	Steel 36T
HUB	Steel Sealed Bearing
SADDLE	TRINX Comfort
SEATPOST	TRINX Steel
STEM	TRINX Alloy
HANDLEBAR	TRINX Steel



SEALS

FRAME	TRINX16"*215mm Magnesium Alloy	RIM	TRINX Alloy
FORK	16"Hi-Ten Steel	TYRE	16*2.125" Rubber
SHIFTER	-	CHAINWHEEL	32T*102L
FD	-	HUB	Hi-Ten Steel Disc HUB
RD	-	SADDLE	TRINX
CASSETTE	16T	SEATPOST	TRINX Hi-Ten Steel
CHAIN	KMC 15	STEM	TRINX Hi-Ten Steel
BRAKE	Alloy Mechanical Disc	HANDLEBAR	TRINX Hi-Ten Steel Rise



SMILE TX-1610

FRAME	TRINX 14**203mm Hi-Ten Steel	RIM	TRINX Alloy
FORK	14"Hi-Ten Steel	TYRE	14*2.125" Rubber
SHIFTER	-	CHAINWHEEL	TRINX 28T
FD	-	HUB	TRINX Hi-Ten Steel
RD	-	SADDLE	TRINX
CASSETTE	16T	SEATPOST	TRINX Hi-Ten Steel
CHAIN	MAYA 1S	STEM	TRINX Hi-Ten Steel
BRAKE	Caliper brake/Band brake	HANDLEBAR	TRINX Hi-Ten Steel Rise

SMILE TX-1410

FRAME	TRINX 16**215mm Hi-Ten Steel	RIM	TRINX Alloy
FORK	16"Hi-Ten Steel	TYRE	16*2.125" Rubber
SHIFTER	-	CHAINWHEEL	TRINX 32T
FD	-	HUB	TRINX Hi-Ten Steel
RD	-	SADDLE	TRINX
CASSETTE	16T	SEATPOST	TRINX Hi-Ten Steel
CHAIN	MAYA 1S	STEM	TRINX Hi-Ten Steel
BRAKE	Caliper brake/Band brake	HANDLEBAR	TRINX Hi-Ten Steel Rise



RED ELF 3.0

FRAME	TRINX 18**230mm Hi-Ten Steel	RIM	TRINX Alloy
FORK	18"Hi-Ten Steel	TYRE	18*2.125" Rubber
SHIFTER	-	CHAINWHEEL	TRINX 32T
FD	-	HUB	TRINX Hi-Ten Steel
RD	-	SADDLE	TRINX
CASSETTE	16T	SEATPOST	TRINX Hi-Ten Steel
CHAIN	MAYA 1S	STEM	TRINX Hi-Ten Steel
BRAKE	Caliper brake/Band brake	HANDLEBAR	TRINX Hi-Ten Steel Rise

RED ELF 2.0

FRAME	TRINX 16**203mm Hi-Ten Steel	RIM	TRINX Alloy
FORK	16"Hi-Ten Steel	TYRE	16*2.125" Rubber
SHIFTER	-	CHAINWHEEL	TRINX 32T
FD	-	HUB	TRINX Hi-Ten Steel
RD	-	SADDLE	TRINX
CASSETTE	16T	SEATPOST	TRINX Hi-Ten Steel
CHAIN	MAYA 1S	STEM	TRINX Hi-Ten Steel
BRAKE	Caliper brake/Band brake	HANDLEBAR	TRINX Hi-Ten Steel Rise

RED ELF 1.0

FRAME	TRINX14**203mm Hi-Ten Steel	RIM	TRINX Alloy
FORK	14"Hi-Ten Steel	TYRE	14*2.125" Rubber
SHIFTER	-	CHAINWHEEL	TRINX 28T
FD	-	HUB	TRINX Hi-Ten Steel
RD	-	SADDLE	TRINX
CASSETTE	16T	SEATPOST	TRINX Hi-Ten Steel
CHAIN	MAYA 1S	STEM	TRINX Hi-Ten Steel
BRAKE	Caliper brake/Band brake	HANDLEBAR	TRINX Hi-Ten Steel Rise

KIDS



BLUE ELF 3.0

FRAME	TRINX 18**230mm Hi-Ten Steel	RIM	TRINX Alloy
FORK	18"Hi-Ten Steel	TYRE	18*2.125" Rubber
SHIFTER	-	CHAINWHEEL	TRINX 32T
FD	-	HUB	TRINX Hi-Ten Steel
RD	-	SADDLE	TRINX
CASSETTE	16T	SEATPOST	TRINX Hi-Ten Steel
CHAIN	MAYA1S	STEM	TRINX Hi-Ten Steel
BRAKE	Caliper brake/Band brake	HANDLEBAR	TRINX Hi-Ten Steel Rise

BLUE ELF 2.0

FRAME	TRINX 16**203mm Hi-Ten Steel	RIM	TRINX Alloy
FORK	16"Hi-Ten Steel	TYRE	16*2.125" Rubber
SHIFTER	-	CHAINWHEEL	TRINX 32T
FD	-	HUB	TRINX Hi-Ten Steel
RD	-	SADDLE	TRINX
CASSETTE	16T	SEATPOST	TRINX Hi-Ten Steel
CHAIN	MAYA 1S	STEM	TRINX Hi-Ten Steel
BRAKE	Caliper brake/Band brake	HANDLEBAR	TRINX Hi-Ten Steel Rise

BLUE ELF 1.0

FRAME	TRINX 14**203mm Hi-Ten Steel	RIM	TRINX Alloy
FORK	14"Hi-Ten Steel	TYRE	14*2.125" Rubber
SHIFTER	-	CHAINWHEEL	TRINX 28T
FD	-	HUB	TRINX Hi-Ten Steel
RD	-	SADDLE	TRINX
CASSETTE	16T	SEATPOST	TRINX Hi-Ten Steel
CHAIN	MAYA 1S	STEM	TRINX Hi-Ten Steel
BRAKE	Caliper brake/Band brake	HANDLEBAR	TRINX Hi-Ten Steel Rise





EQUIPMENT

HELMET TT 11

ROAD bike helmet, one-piece molding, 16 holes, PC shell + EPS foam, printed with TRINX logo. TRINX color box packaging



HELMET TT 07

Description In-mold helmet; CE standard, 28 Air Vents makes airflow quickly; with cotton lining, head circumference adjustable; Material: EPS Foam + PC Shell; Net Weight: 235g;
Color size (Matt and Glossy) Blue, Red, Green, Yellow M(55-58cm), L(58-61cm)

HELMET TT 13

Description In-mold PC shell with Black EPS liner; Ventilation: 10 Vents; With adjustor; Application area: Road/Pull/push bike 3-8 years old
Color size Red, Orange, White/Blue UniSize



HELMET TT 20

Description Road Bike Helmet; In-mold PC shell with Black EPS liner; Ventilation: 15 Vents; With adjustor;
Color size Black, Gray, White M,L



HELMET TT 10

Description Mountain bike helmet, one-piece molding, 16 holes, PC shell + EPS foam, with front visor, adjustable, with detachable tail lights, printed with TRINX logo. TRINX color box packaging
Color size Matt/Black, Matt/Titanium, Matt/Orange, Matt Navy Blue M(55-58cm),L(58-61cm)



TF32 CYCLING JERSEY SET

Description Cycling Jercey Set, AIRPASS, pro quick-dryin gbreathable fabric, 3D cutting, 3-pocket design, with reflective tape on back, double-layer matt polyester ammonia lower hem, with TRINX tag.
Color size Blue/Black S,M,L,XL,XXL,XXXL

TF33 CYCLING JERSEY

Description Cycling Jercey, AIRPASS, pro quick-drying breathable fabric, 3D cutting, 3-pocket design, with reflective tape on back, double-layer matt polyester ammonia lower hem, with TRINX tag.
Color size Blue/Black S, M, L,XL,XXL,XXXL





TF39 CYCLING JERSEY

Description Cycling Jersey, AIRPASS, pro quick-drying breathable fabric, 3D cutting, 3-pocket design, with reflective tape on back, double-layer matt polyester ammonia lower hem, with TRINX tag.

Color Blue

size S, M, L, XL, XXL, XXXL

TF34 CYCLING JERSEY

Description Cycling Jersey, AIRPASS, pro quick-drying breathable fabric, 3D cutting, 3-pocket design, with reflective tape on back, double-layer matt polyester ammonia lower hem, with TRINX tag.

Color Blue

size S, M, L, XL, XXL, XXXL



TF35 CYCLING BIB SHORTS

Description Cycling Bib Shorts, pro quick-drying breathable fabric, 3D cutting

Color Black

size S, M, L, XL, XXL, XXXL

TF36 CYCLING SHORTS

Description Cycling Shorts, pro quick-drying breathable fabric, 3D cutting

Color Black

size S--XXXL



TF38 CYCLING JERSEY SET

Description TRINX FACTORY TEAM version Men's Cycling Jersey Set, Jersey Material: Milk Silk; Backwear/Side Panel Splicing: Italian Mesh Fabric; Zipper: YKK Zipper; Bib Shorts Material: Korean Lycra Fabric; Cushion: TP11, Gel Pants pad; with TRINX tag.

Color Blue/Black

size S, M, L, XL, XXL, XXXL

TF61 GLOVES

Description Full-Finger gloves, material: high-elastic Lycra with silks-printing craft; microfiber with silicon-printing craft.

Color Blue/White

size S, M, L, XL, XXL





TF62 GLOVES

Description Half finger cycling gloves, materials: lycra+ microfiber; package: PE bag +'TRINX' logo printed

Color Blue/Black; Red/Black

size S, M, L,XL, XXL

TF48 CYCLING SCARF

Description Seamless riding scarf, polyester fiber material, one size, TRINX design, with moisture wicking function and UV protection

Color Blue

size -



TF49 CYCLING SCARF

Description Ear hanging scarf, material; nylon ice silk, composition; nylon 92%, spandex 8%. Print TRINX logo

Color Black, White, Blue

size -

TF28 CYCLING SLEEVES

Description Ice silk Riding Sleeves, material: nylon ice silk, composition: nylon: 92%, spandex: 8%. Print TRINX logo

Color Blue, Black, White

size S,M,L,XL



TYO2/TYO3 GOGGLES

Description Separated lens(short-sighted lens contained), PC frame, main lens: polarizer,4 pc spare lens; hard spectacle case with TRINX logo+glasses pocket&cloth+elastic+polarization test card

Color Black

size Free

TB70 BICYCLE BEAM BAG

Description Bicycle front beam bag, material: polyester EVA filling, with a 6-inch removable touch screen mobile phone bag, size:17x10.5x3cm, weight: 0.25kg, with rain cover. TRINX logo printed on both sides.

Color Black/Blue, Black/Gray

size -





TB15 BICYCLE BEAM BAG

Description Waterproof bicycle frame bag with removable Screen Bag capable for as big as 6" phone. Two sides with reflective stripes, white 'TRINX' logo and glossy black UV finish letters.

Color Black
size 6.2"

TB12 BICYCLE BEAM BAG

Description Waterproof nylon fabric, with bilateral reflective labels, with mesh cloth bags on both sides, 'TRINX' logo, with white edge.

Color Blue/Black
size Free



TB34 SADDLE BAG

Description Saddle Bag, Black canvas tail bag, material: density fabric, easy to clean, net weight 95.4g, capacity 1.2L, with reflective strip, with trinx logo printing.

Color Black
size 15x7.5x10.5cm

TCO3 ELECTRIC HORN

Description Front bicycle light with horn. ABS cover, XPE lamp beads, 120 DB horn, USB chargeable

Color Black/Blue Black/Red
size 10.5x5x4cm



TCO4 LIGHT

Description Lithium front light, 3.7V 2Ah, aluminum alloy, LED, USB charging: 4 modes; 360 degree rotation fixing bracket; IPX4 Waterproof; 500 Lux

Color Black
size -

TCO5 LIGHT

Description "LED tail light, Lithium battery, red color light, 500mAh, USB Charging; Size : 15*80*23 mm Weight: About 64g; 6 Modes: High, mid, low, 50% flashing, 100% flashing, strobe; 30 micro-LED, ultra bright to keep you safe; Wide Beam LED Tech Keeps You Safe with 180° Visibility; IPX Waterproof"

Color Blue/Black
size Free





TCO6 LIGHT

Description Smart brake taillight, aluminum alloy shell, COB surface light, 20 lamp beads each. USB charging function, 500mAh lithium battery, silicone strapping fixing method, 120 degree orientation adjustment.

Color Black
size Free

TB54 SADDLE COVER

Description Memory Foam Saddle Cover, tightened by rope, with reflective stripe in the back Thickness:30mm

Color Black
size 265x140 mm



TH12 BOTTLE CAGE

Description Aluminum Alloy Bottle cage, with white 'TRINX' logo printed

Color Black
size -

HL-BC32 BOTTLE CAGE

Description Bottle cage, material:PP+ABS; W:27g,with 'TRINX' logo,paper card contained.

Color Black, Blue, Red, Yellow
size 15cmx07cm



TH19 WATER BOTTLE

Description Cycling water bottle, material: PE bottle + PP bottle cap + silicone rubber ring. Capacity: 620ml, printed with TRINX LOGO and mountain pattern.

Color Black/Blue,Black/Red
size -

TH07 WATER BOTTLE

Description Water bottle, material: P; With adjustable injection valve, lockable and leak-proof.

Color Black/Red, Black/Blue, Sky/Blue
size 750ml





PHO1 PHONE HOLDER

Description Aluminum Alloy material; 5 holders, 360 degree rotation; width is adjustable. Size: 105x80x115mm (at most)

Color Black,Red,Blue

size 105x80x115mm (at most)

PHO2 PHONE HOLDER

Description Mobile phone holder,PVC material,fixed with 4 claws, can rotate 360 degrees, for 3.5-7 inch mobile phone, is suitable for handlebars with 15-35mm pipe diameter. Black/red, with TRINX logo

Color Red

size -



TLO4 CODED LOCK

Description Coded lock,Material:High-ten Steel,with fixing bracket, with'TRINX'LOGO printed; package: plastic bag+hang tag.

Color Black

size 012*120CM



TLO5 BICYCLE LOCK

Description Bicycle U-shaped anti-theft lock, double-opening type, C-level anti-theft lock core, with dust cover, material: alloy steel + ABS engineering plastic, weight: 660G, size: 187x122mm, with two keys and frame clip, with TRINX, logo, black/blue.

Color Black/Blue1

size 87*122mm



TLO3 KEY LOCK

Description Material: High-ten Steel, with clip, Package:plastic tag(with TRINX LOGO)

Color Black

size 012*120CM

TDO4 MUDGUARD

Description Bicycle detachable mudguard, material: PP plastic, front mudguard size: 32x7cm, 23x7cm, with four expansion plugs (21.3MM/22.8MM/24MM/30MM), connector *1, quick release nut; rear fender size: 56x7cm, with TRINX, LOGO. Paper card plus plastic bag packing

Color Blue, Black

size 32*7cm,23*7cm





TQ04 MINI PUMP

Description 210psi Bicycle Pump With Gauge Mini Portable Light Cycling Air Pump For Bike Tire Inflator High Pressure Schrader Presta; Material: CNC Aluminum alloy 6063; Weight:177g; Pressure:210psi.

Color Black

size 26*240MM

TQ05 AIR PUMP

Description Material High-precision stainless steel/EPDM rubber belt
Color Blue, Orange, Black
Size 32*610mm
Air Pressure 140psi

Color Black

size 32*610mm



TQ06 MINI PUMP

Description 130psi Pocket Bicycle Pump Mini Portable Bike Pump Cycling Air Pump For Bike Tire Inflator High Pressure Schrader Presta, Material: Aluminum Alloy; Net weight: 81g

Color Black

size 16.5 cm length



TQ08 MINI PUMP

Description Air pump, material: aluminum alloy, polypropylene, polyurethane gas belt, size: 4.5*27CM, maximum pressure; 100PSI, with TRINX logo, with instrument.

Color Black

size 45*270MM



TQ09 MINI PUMP

Description 130psi Pocket Bicycle Pump Mini Portable Bike Pump Cycling Air Pump For Bike Tire Inflator High Pressure Schrader Presta, Material: Aluminum Alloy; size: 23x160mm

Color Black, Silver

size 23*160mm

TQ07 MINI PUMP

Description Air pump, material; aluminum alloy, polypropylene, polyurethane air belt, size: 4.5*24CM, maximum pressure; 100PSI, with TRINX logo, without instrument.

Color Black

size 45*240MM





MB04 BIKE COMPUTER

Description "Wireless Bike Computer with extension mount, 2.8 Inch Screen; Power supply:2030 battery; Backlight color:White,Green; IPX6 WATERPROOF; FUNCTIONS
-AVAILABLE FOR TWO BICYCLES
PRESS M KEY FOR 6 SEC TO SWITCH BETWEEN 1AND2
-AUTO STAND-BY,AUTO WAKE-UP
IDENTIFY OF BICYCLE MOVEMENT AUTOMATICLY,
POWER-SAVING(NEED TO TOUCH THE KEY IF WIRELESS TYPE)
-LASTING ENDURANCE,
LOW POWER CONSUMPTION"

Color Black
size 7x5x1.5cm

BC102 GPS COMPUTER

Description GPS Bike Computer, connects with heart rate, speed,cadence, speed-cadence 2in 1devices, it shows real time data and also memorize it, Synchronize history with your phone via App XOSs via Bluetooth. With a 2.2 inch Screen; sustainable backlighting at night, rechargeable lithium battery 500mAh large capacity battery lasts for 15 hours

Color Black
size -



BK463 SPEED SENSOR

Description Cycling Cadence & Speed Magnet-less Sensors, Compatible with different devices: Bluetooth & ANT+ transfer data to multiple types of devices. IP67 Waterproof Design.
Wireless: ANT+ & BLE
Transmission range: 7m
Operating environment: -20°~60°
Water protection: IP67
Material: PC
Weight: 10g
Size: 36x30x10.3mm
Colour: Brown
Battery life: 12months
Battery: CR2032 button battery
Speed mode life: 300 hours
Pilot mode life: 500 hours

Color Black
size 36*30*10.3MM



HRM508 HEART RATE MONITOR

Description 3 Modes Heart Rate Monitor, integrated with Bluetooth4.0, ANT+ and 5.3KHz transmission, with one heart rate monitor you can work with almost all the heart rate receiving devices
Data transmission : Ble, ANT+, 5,3KHz
Wireless transmission distance: 10m
Transmitter size : 65.5x38x13.5mm
Battery type: CR2032
Battery life :10 months
Waterproof level: IP67
Memory: Yes
Capabilities : ios 8.0, Android 4.3 system above BLE devices Garmin Watch support ANT+)
Capabilities Apps: MooFit, wahoo runFit, Wahoo Fitness,
Endomondo Runtastic PRO, Zwift
Other : HRV Function

Color Black
size 65.5*38*13.5MM





RCO1 REAR RACK

Description Aluminum alloy quick release rear rack, black color, size: 55*14.5CM, panel size: 35.5*14.5CM, nominal load 25KG, with tension rope, rear reflector and clay board, printed TRINX LOGO

Color Black

size 355*145MM

RPO1 REAR RACK PAD

Description Bicycle rear rack seat cushion, material: sponge + wood board + artificial leather, size: 30x15x3.5cm, buckle fixed.

Color Black

size 30*15*3.5cm



B-038 HANDLEBAR GRIP

Description Material: rubber
Net Weight: about 80g /pair

Color Black

size Length 13cm 1.D 2.2mm

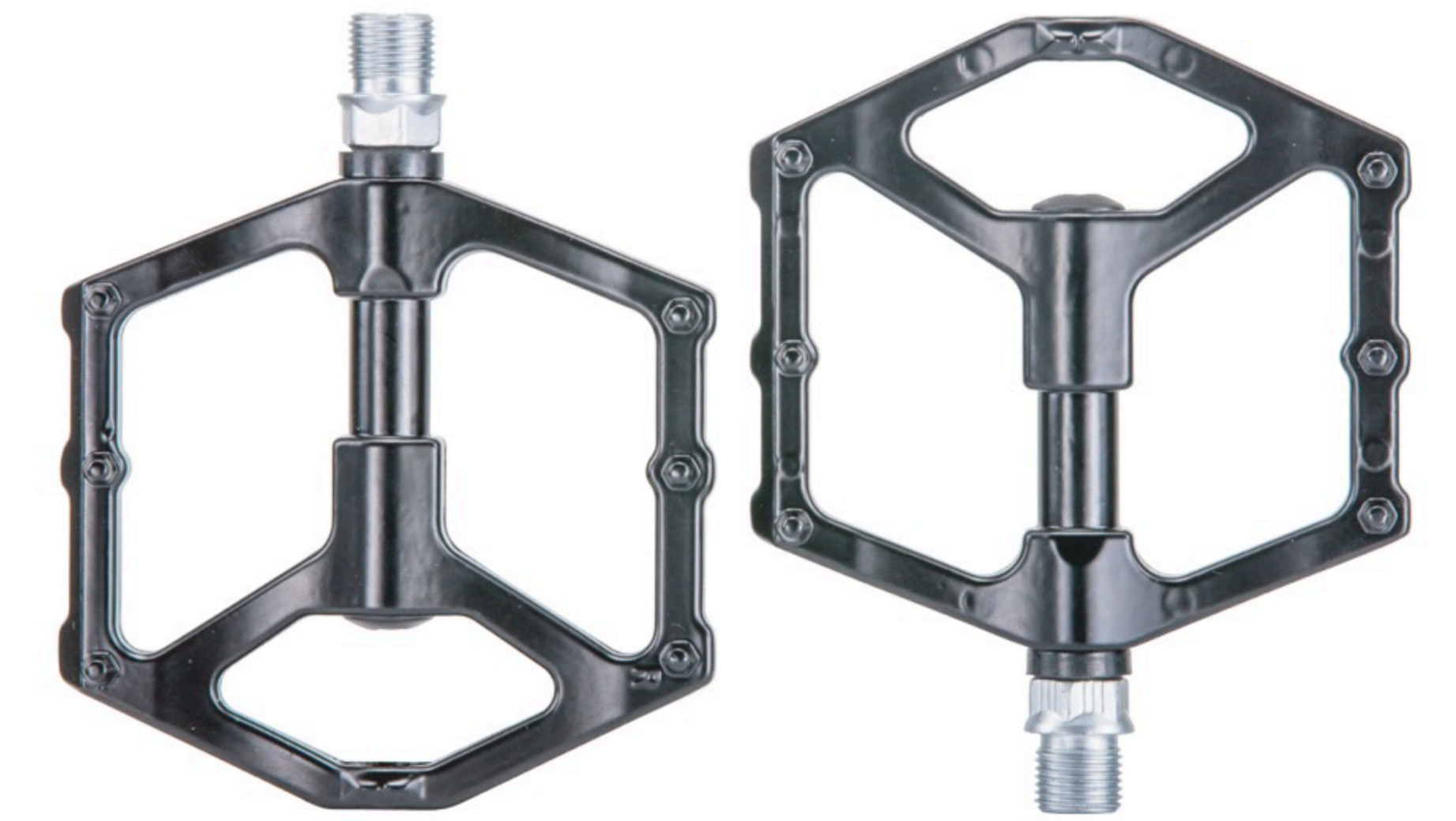


TPO1 PEDAL

Description Material: Aluminum Alloy Structure: 2DU
Size: 101x105x21mm Weight: 335g/pr

Color Black

size 15cm x 07cm



TG11 REPAIR TOOLS

Description 7in 1 repair tools: 2/3/4/5/6/+/-; with white 'TRINX' logo printed

Color Red

size -

TG13 REPAIR TOOLS

Description 16 functions combination tool; Steel, 220g

Color Blue

size 9x4cm



TG12 REPAIR TOOLS

Description 20 functions combination tool, steel + aluminum alloy material, 122g.

Color Red

size 7x4cm



TAO1 FOLDING TENT

Description Material: 420D Rainproof oxford cloth; with white 'TRINX' logo

Color Blue

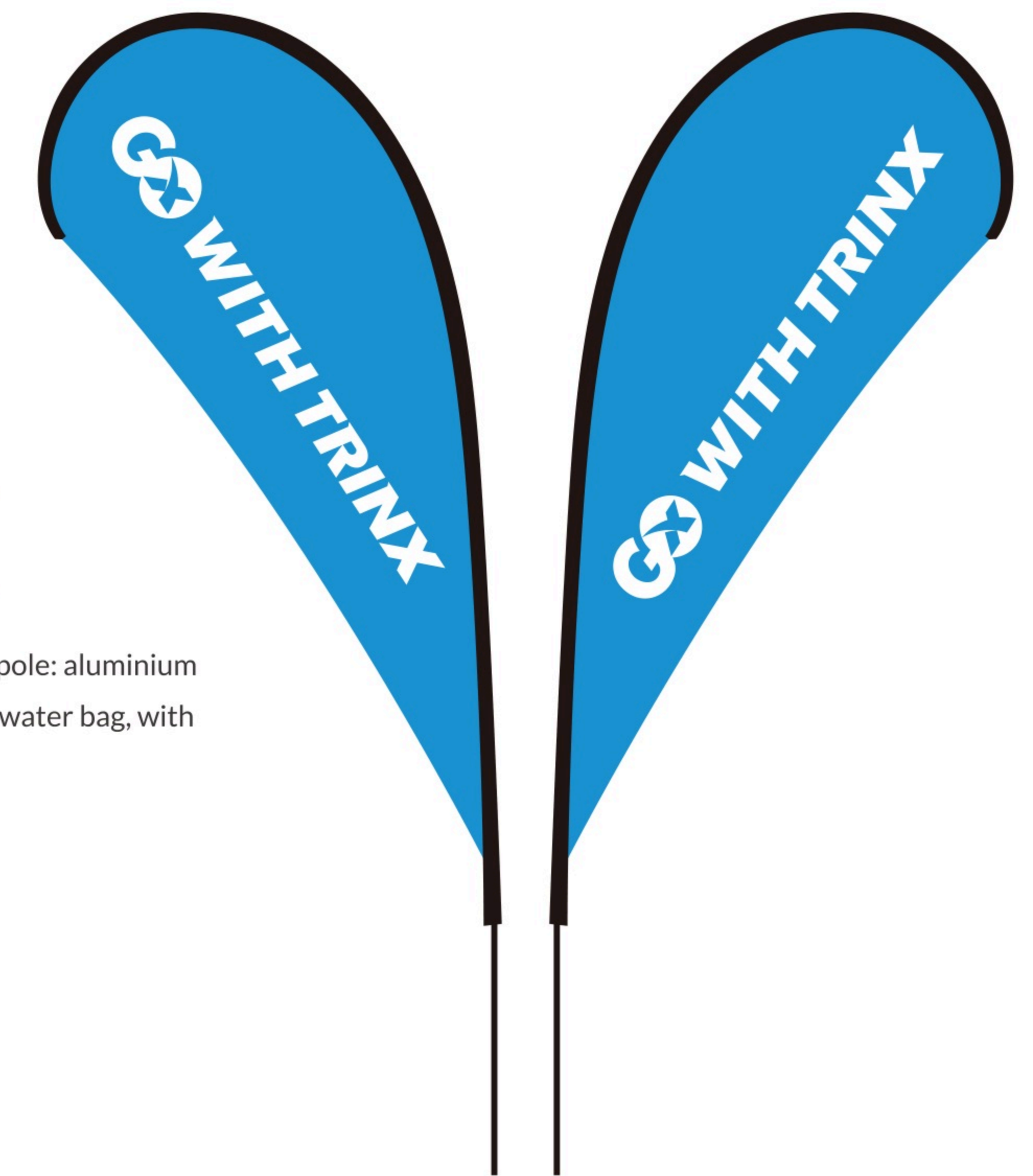
size 3x3m

TAO2 FEATHER FLAG

Description Material: Single weave cloth, flag pole: aluminium alloy, foundation: cross stell, with water bag, with white 'TRINX' logo

Color Blue

size 3*0.8m



TAO3 BEACH FLAG

Description Material: Single weave cloth, flag pole: aluminium alloy, foundation: cross stell, with water bag, with white 'TRINX' logo

Color Blue

size 5.6*0.8m





TB71 BACKPACK

Description Bicycle backpack, material: nylon + polyester, capacity: 15L, size 42x25x17cm, bottom pocket with helmet net pocket, with rain cover, printed with trinx logo

Color Black, Black/Blue

size -

TA21 CAP

Description Material: Twill cotton, with embroidery 'TRINX' logo;- adjustable

Color Black

size Free



BS-M1 BICYCLE DISPLAY STAND

Description Trinx brand bicycle stand for Mountain Bike, material: steel, with blue color painting and whtiel TRINX BIKES logo stickers.

Color Blue

size LxWxH:1750x488x161mm
Groove:63x100mm

